

**HD8758/57 HD8759/47**  
**HD8887/19-HD8888/19**  
**HD8900/01-11- HD8902/01-HD8904/01**

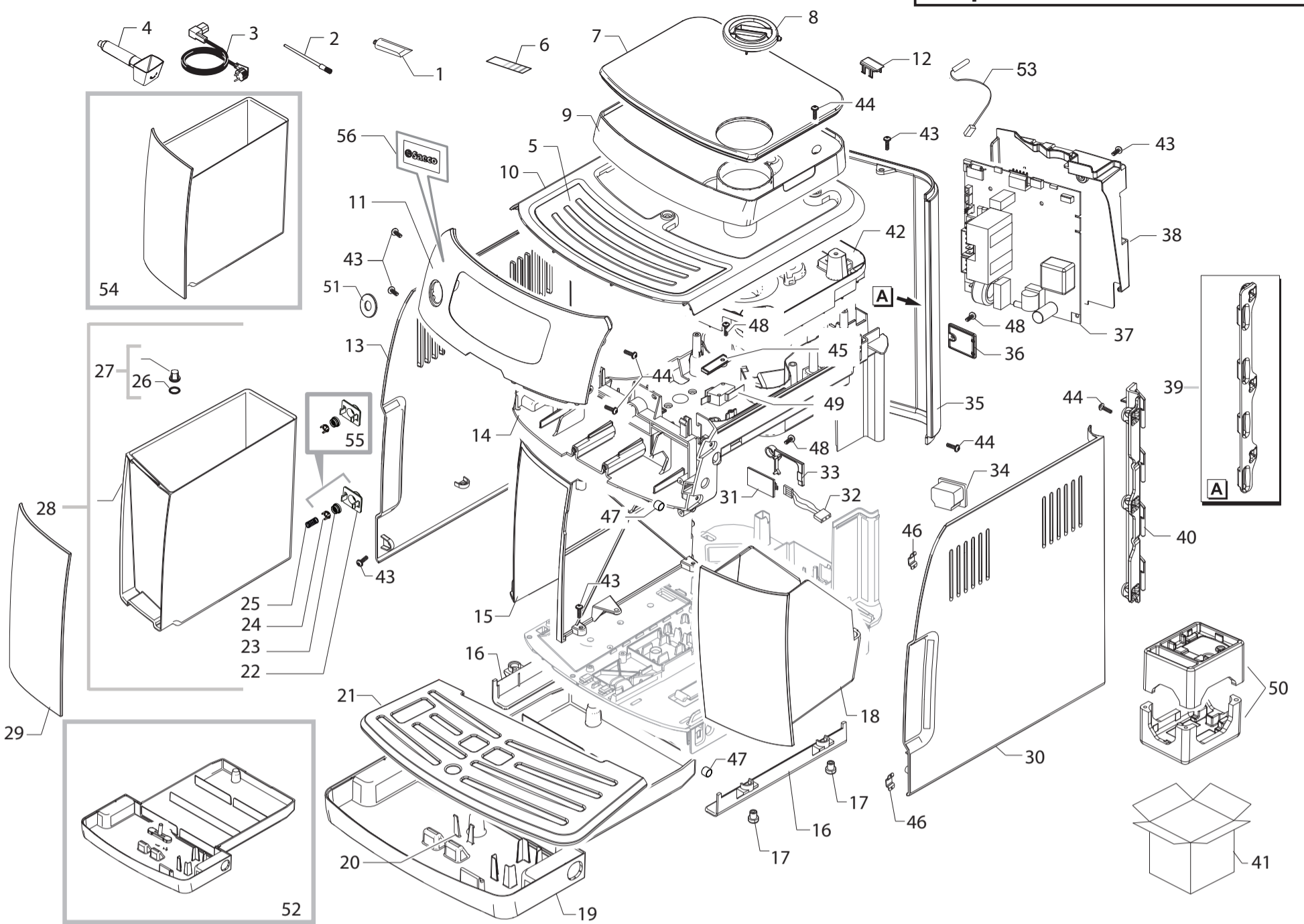


**Cod.882875857540-882875947540**  
**Cod.882888719870-882888819870**  
**Cod.882890001010- 011010- 882890201010-882890401010**

POS	CODE	12NC	DESCRIPTION	NOTE	POS	CODE	12NC	DESCRIPTION	NOTE
01		421946017941	KLUBERLUB NH1 11-222 TUBE 5GR.		18	11028562	996530070355	SS DUMP BOX NPR/HM ASSY.	
02	127390100	996530011867	BRUSH FOR CLEANING					<b>HD8904/01-HD8888/19-HD8759/47</b>	
03	183911050	996530025808	BLK POWER CABLE SCHUKO L=1200			11030534	996530072525	MATT/BLACK DUMP BOX NPR/H-P	
	183921950	996530025843	BLK POWER CABLE SJT3 USA UL L=1200					<b>Only HD8758/57 HD8900/01</b>	
04		421944033301	BLK ABS COFFEE MEASURE SMART			11030555	996530072904	SILVER DUMP BOX NPR/H-P	
05		421944053591	BA/SS UPPER CASING COVER INS.V2 NPR/H-T					<b>HD8900/11</b>	
			<b>NO HD8758/57 HD8900/01 HD8900/011</b>		19	17001637	996530072533	BLACK DRIP TRAY V2 NPR/H-P	
06	0301.961	996530039604	STICKER FOR WATER HARDNESS TEST		20		421941304791	RED/3003 FLOAT FOR DRIP TRAY XSM	
07		421944063381	NAT/GR BEAN COFF.CONT.LID V2 NPR/H-T		21		421944053231	SB/SA GRATE FOR DRIP TRAY V2 NPR/H-P	
			<b>HD8902/01-HD8887/19</b>		22		421944040061	BLK LID FOR WATER CONT.VALVE V2 P0049	
		421944057611	T/GRY BEAN C.CON.LID W/SEAL S/SC.NP5/H-T					<b>FROM S/N. TU901606010610</b>	
			<b>HD8904/01-HD8888/19</b>		23		421944040781	BLK GASKET FOR WATER CONT.VALVE V2 P0049	
		421944063391	NAT/GRY BEAN COFF.CONT.LID V2 NPR/H-T AS					<b>FROM S/N. TU901606010610</b>	
			<b>HD8758/57-HD8759/47</b>		24		421944040071	BLK WATER CONT.VALVE INSERT V2 P0049	
		421944058821	TR/GRY BEAN C.CONT.LID V2 NP5/P-H-T	HD8900/01-11				<b>FROM S/N. TU901606010610</b>	
08	11031477	996530073487	TRANSP/GREY GROUND COFFEE HOPPER LID NPR	HD8900/01	25	11003672	996530001831	SS SPRING FOR WATER CONTAIN.VALVE P0049	
	17001244	996530068685	NAT/GRY GROUND COF.HOPPER LID NPR	230V	26	140328461	996530013571	OR ORM 0190-10 EPDM	
09		421944053291	TRANSP/GRY BEAN COFFEE CONTAINER NPR	120V	27	224640200	996530029115	WHITE WATER CONTAINER EXT.FILTER ASSY.	
		421944058811	TRANSP/GRY BEAN COFFEE CONTAINER V2 NPR	HD8900/01-11	28		421944053072	NAT/GRY WATER CONT.LONGFILTR V2 NPR ASSY	
		421944054041	NAT/GRY BEAN COFFEE CONTAINER NP5					<b>All except HD8758/57 HD8759/47</b>	
10		421944054461	BA/SS-BLK UPPER CASING COVER NP5/H ASSY				421944056301	NAT/GRY WATER CONTAINER V2 NPR ASSY	
		421944052991	BLK UPPER CASING COVER V3 NPR/B-P					<b>Only HD8758/57 HD8759/47</b>	
11		421944053501	G/BLM FR.PANEL S/SC.SAE INT.EVO2 NPR/H-P		29		421944053201	G/BLM WATER TANK FRONT COVER NPR	
			<b>HD8902/01-HD8887/19</b>					<b>HD8902/01-HD8887/19</b>	
		421944054671	SS FRONT PANEL S/SCR.NP5/HM ASSY			11028561	996530070361	SS WATER TANK FRONT COVER NPR/HM ASSY.	
			<b>HD8904/01-HD8888/19-HD8759/47</b>					<b>HD8904/01-HD8888/19-HD8759/47</b>	
		421944054921	BLK FRONT PANEL S/SCR.INTEL.EVO2 NPR/H-P			11030535	996530072456	MATT/BLACK WATER TANK FRONT COVER NPR	
			<b>Only HD8758/57 HD8900/01</b>					<b>Only HD8758/57 HD8900/01</b>	
		421944072421	SILV.FR.PANEL S/SCR.BELLA NPR/H-P			11030558	996530072787	SPECCHIATO WATER TANK FRONT COVER NPR	
			<b>HD8900/11</b>					<b>HD8900/11</b>	
12	17001380	996530069844	TRANSP.COVER INFRAREDS ACCESS NPR/T		30		421944040591	M/BLK RIGHT SIDE DOOR V4 NPR	
13	17001299	996530068729	BLACK LEFT SIDE CASING NPR		31		421941306721	CPU+SW WATER LEVEL SENSOR V3 ASSY.	
14	11030130	996530072415	BLK COFFEE GRINDER SUPP.PLATE V2 NPR/H-P		32		421946000081	3P.CONN.WATER LEVEL V2 CLP UL ASSY.	
15		421941282512	BLK CASING BOTTOM INSERT V2 NPR		33	17001179	996530068749	BLK CAPACIT.SENSOR LOCKING INSERT NPR	
16	17001110	996530068723	BLACK DRIP TRAY GUIDE NPR		34	12001883	996530072437	CUP SOCKET V3 EN 60320 C 13	
17		421324705256	TRANSPARENT SILICONE FOOT		35	17001240	996530068714	BLACK REAR CASING NPR	
18		421944053241	G/BLM DUMP BOX NPR/H-P		36	17001484	996530068728	BLACK REAR CASING PROGRAM.INSERT NPR	
			<b>HD8902/01-HD8887/19</b>		37		421941308261	CPR+SW NPR V2/H ASSY.	230V
							421941308511	CPU+SW NPR/H-P V2 USA ASSY.	120V
					38		421944017971	BLK PWR/CPU BOARD PROTECTION V2 P0057	230V



**INTELIA EVO2 AMF-CMF / BELLA**  
**INTELIA CLASS EVO2 - INTELIA FOCUS EVO2**



HD8758/57 HD8759/47  
 HD8887/19-HD8888/19  
 HD8900/01-11- HD8902/01-HD8904/01



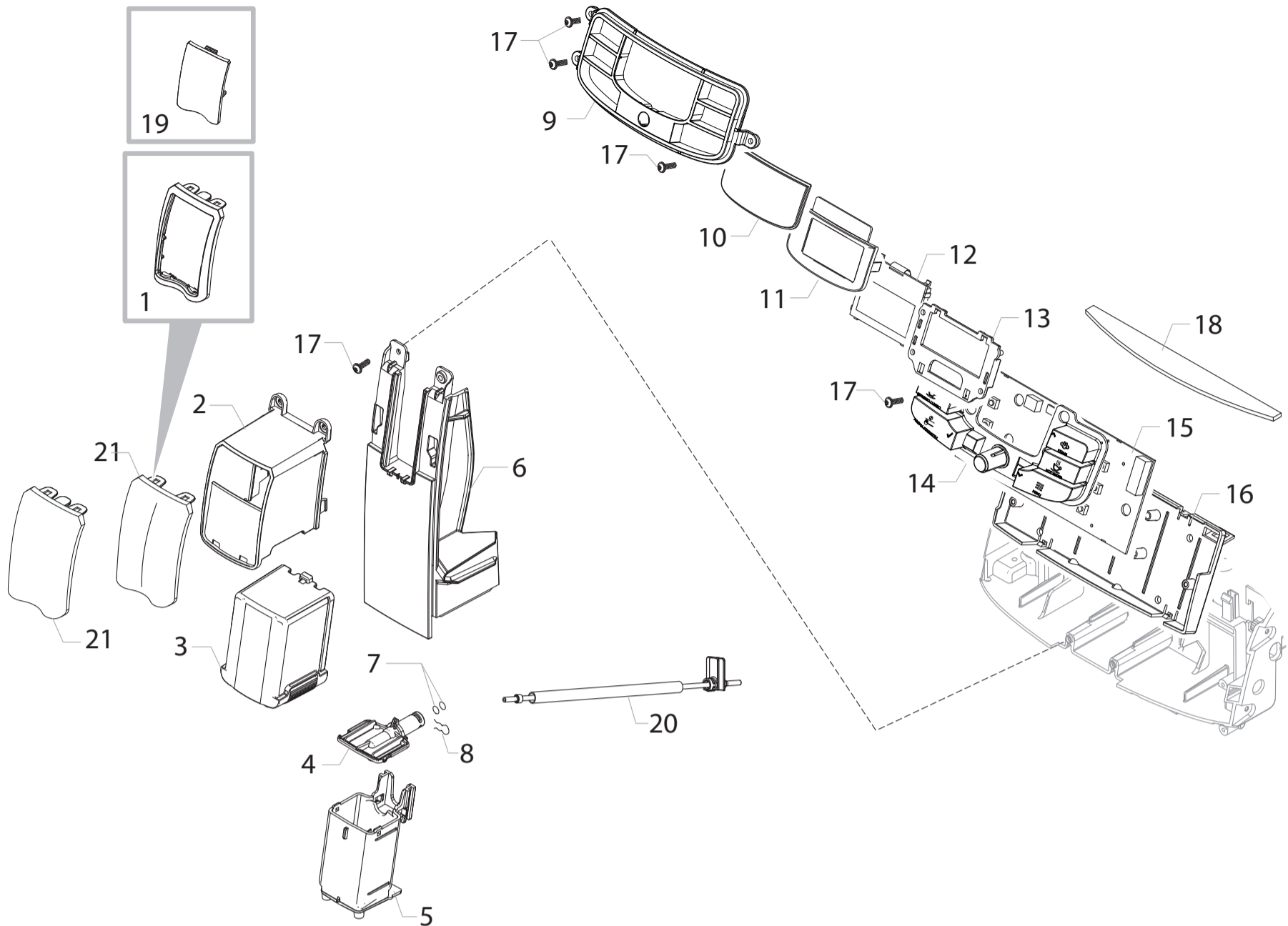
Cod.882875857540-882875947540  
 Cod.882888719870-882888819870  
 Cod.882890001010- 011010- 882890201010-882890401010

POS	CODE	12NC	DESCRIPTION	NOTE	POS	CODE	12NC	DESCRIPTION	NOTE
38		421944050551	GRY PWR/CPU BOARD PROTECTION V2 P0057/UJL	120V					
39		421944022751	BLK HINGE FOR REAR CASING XSM.						
40		421944022731	BLK HINGE FOR DOOR RIGHT SIDE XSM						
41		421946027281	DISPL.BOX NP5/P-H SAE INTEL.EVO2						
		421946031261	DISPL.BOX NP5/P SAE INTELIA EVO2 USA	HD8758/57					
		421946031271	DISPL.BOX NP5/H SAE INTELIA EVO2 USA	HD8759/47					
42		421944058831	BLK COF.GRINDER SOUNDPROOFING COV.V3 NPR						
43	12000450	996530007819	SCREW TCBR TORX 10 3,5X12 PLAST.ZN-N						
44		421944016761	SCREW TCBR TORX 10 3,5X12 PLAST.ZN-NI						
45	17000064	996530067437	BLK CAPACIT.SENSOR DEADLOCK INSERT XSM						
46	11013220	996530069857	STEEL PLATE FOR DOOR MAGNET XSM						
47	9161.111	996530050555	MAGNET FOR FLOAT SUPERAUT.						
48	129913202	996530013156	SCREW TCB TORX 10 3X8 PLAST.ZN-B						
49	12001890	996530073209	MICROSWITCH XG/V3D						
50	20007020	996530068711	KIT PS-E INSERT FOR BOX NPR/H-P						
51	11030533	996530072903	MATT/BLACK FRONT PANEL CAP NPR/H-P						
52		421941308921	KIT SPARES BLK DRIP TRAY V3 NPR/T						
53	17800662	996530073867	2P.CONN.SENSOR REED DOOR V2 MYB9 UL ASSY	120V					
54		421944053041	G/BLM-NAT/GRY WATER GEN.CONTAIN.NPR ASSY						
			<b>HD8902/01-HD8887/19</b>						
		421944054391	SS-NAT/GRY WATER GEN.CONTAIN.NP5/HM ASSY						
			<b>HD8904/01-HD8888/19</b>						
	11030620	996530074271	M/BLK-NAT/GRY WATER GEN.CONTAIN.NPR ASSY	HD8758/57					
	11028564	996530074269	SS-NAT/GRY WATER GEN.CONTAIN.NPR/HM ASSY	HD8759/47					
		421941310011	KIT SPARES WATER GEN.CONT.NPR	HD8900/01					
	20007183	996530073263	SPARES KIT WATER CONT+SPECCH.FRONT ASSY.	HD8900/11					
55		421941308821	KIT SP.COMPONENTS WATER CONTAINERS ASSY						
			<b>UP TO S/N. TU901606010609</b>						
56		421944061621	ADH.CHROMED PLATE LOGO SAECO						
			<b>only HD8900/11 HD8887/19 HD8888/19 HD8902/01</b>						
			<b>HD8904/01 HD8759/47</b>						



INTELIA EVO2 AMF-CMF / BELLA  
 INTELIA CLASS EVO2 - INTELIA FOCUS EVO2





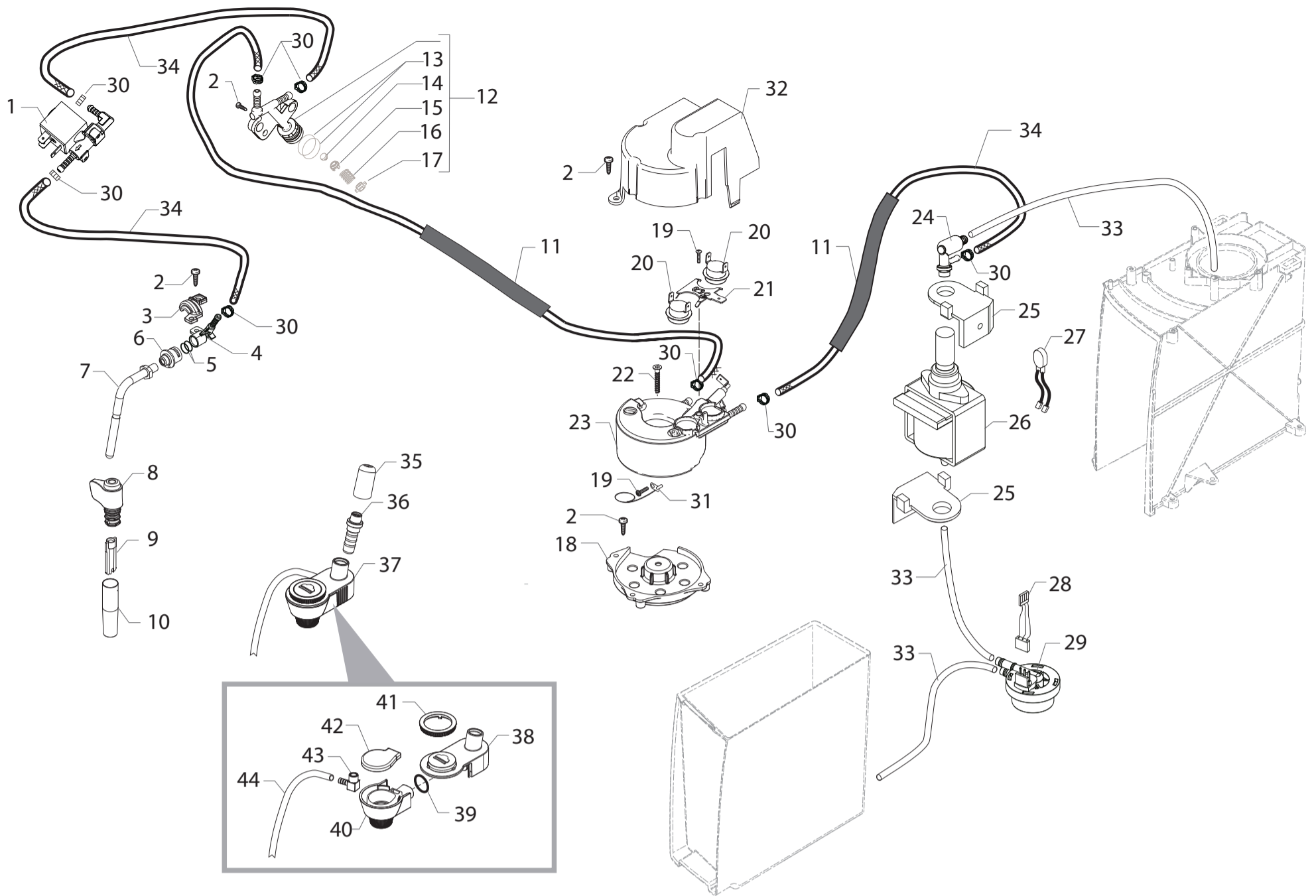
HD8758/57 HD8759/47  
 HD8887/19-HD8888/19  
 HD8900/01-11- HD8902/01-HD8904/01

Cod.882875857540-882875947540  
 Cod.882888719870-882888819870  
 Cod.882890001010- 011010- 882890201010-882890401010

POS	CODE	12NC	DESCRIPTION	NOTE	POS	CODE	12NC	DESCRIPTION	NOTE
01	11029779	996530072482	CHROM.COFF.DISPEN.FRONT PLATE V2 NPR/H-T <b>HD8902/01-HD8887/19</b>		21	11030537	996530072797	M/BLK COF.DISPENSER FRONT PLATE NPR/T <b>HD8758/57 HD8900/01</b>	
02	11030531	996530072512	M/BLK COFFEE DISPENSER LID NPR			11030715	996530072796	SPECCH.COFF.DISPENSER FRONT PLATE NPR/T <b>HD8900/11</b>	
03	17001242	996530068698	BLACK COFFEE DISPENSER MOBILE PART NPR						
04	17001246	996530068742	BLACK COFFEE DISPENSER BODY LID NPR						
05	17001894	996530071881	BLACK COFFEE DISPENSER BODY V2 NPR						
06		421944053191	G/BLM FRONT CASING COVER V2 NPR <b>HD8902/01-HD8887/19</b>						
	11028558	996530070368	SS FRONT CASING COVER NPR/HM ASSY. <b>HD8904/01-HD8888/19-HD8759/47</b>						
	11030536	996530072527	MATT/BLACK FRONT CASING COVER V2 NPR <b>HD8758/57 HD8900/01</b>						
	11030563	996530072798	SPECCHIATO FRONT CASING COVER V2 NPR <b>HD8900/11</b>						
07	140328059	996530013564	OR 2015 SILICONE PTFE/FDA						
08	9011.144	996530048885	SS FORK FOR TUBE D=4						
09		421944053461	CHR TOUCH 7BUTT.PANEL FRAME NPR/H-P						
		421944056831	GCAS 7BUTT.TOUCH PANEL FRAME NP5/H-P <b>HD8758/57 HD8900/01</b>						
10	17001112	996530068675	TRANSP.GLASS FOR DISPLAY NPR						
11	17001111	996530068673	BLACK DISPLAY FRAME NPR						
12		421941307861	DISPLAY HIGO FL						
13	17001100	996530068682	BLACK DISPLAY SUPPORT NPR						
14		421944053441	BLK 7BUTTONS TOUCH PANEL S/SCR.NP5/P <b>HD8902/01-HD8887/19-HD8758/57</b>						
		421944054071	BLK 7BUTTONS TOUCH PANEL S/SCR.NP5/H <b>HD8904/01-HD8888/19-HD8759/47</b>						
15		421941308161	KEYBOARD NPR V2/T						
		421941308201	KEYB NPR/H 120V USA						
16	11030078	996530071879	BLACK DISPLAY KEYBOARD SUPPORT V2 NPR						
17	12000450	996530007819	SCREW TCBR TORX 10 3,5X12 PLAST.ZN-N						
18	17001379	996530069814	BLACK ADHESIVE AERSTOP NPR						
19		421944053031	G/BLM COFF.DISP.FRONT INSERT NP5/H-T <b>HD8902/01-HD8887/19</b>						
20	11031203	996530073357	TEFL.TUBE 2X4 L=235+PLATE+2BUSH NPR ASSY						
21	11028589	996530070369	SS COF.DISPENS.FRONT PLATE NPR/HT-TM ASS <b>HD8904/01-HD8888/19-HD8759/47</b>						



INTELIA EVO2 AMF-CMF / BELLA  
 INTELIA CLASS EVO2 - INTELIA FOCUS EVO2



**HD8758/57 HD8759/47**  
**HD8887/19-HD8888/19**  
**HD8900/01-11- HD8902/01-HD8904/01**

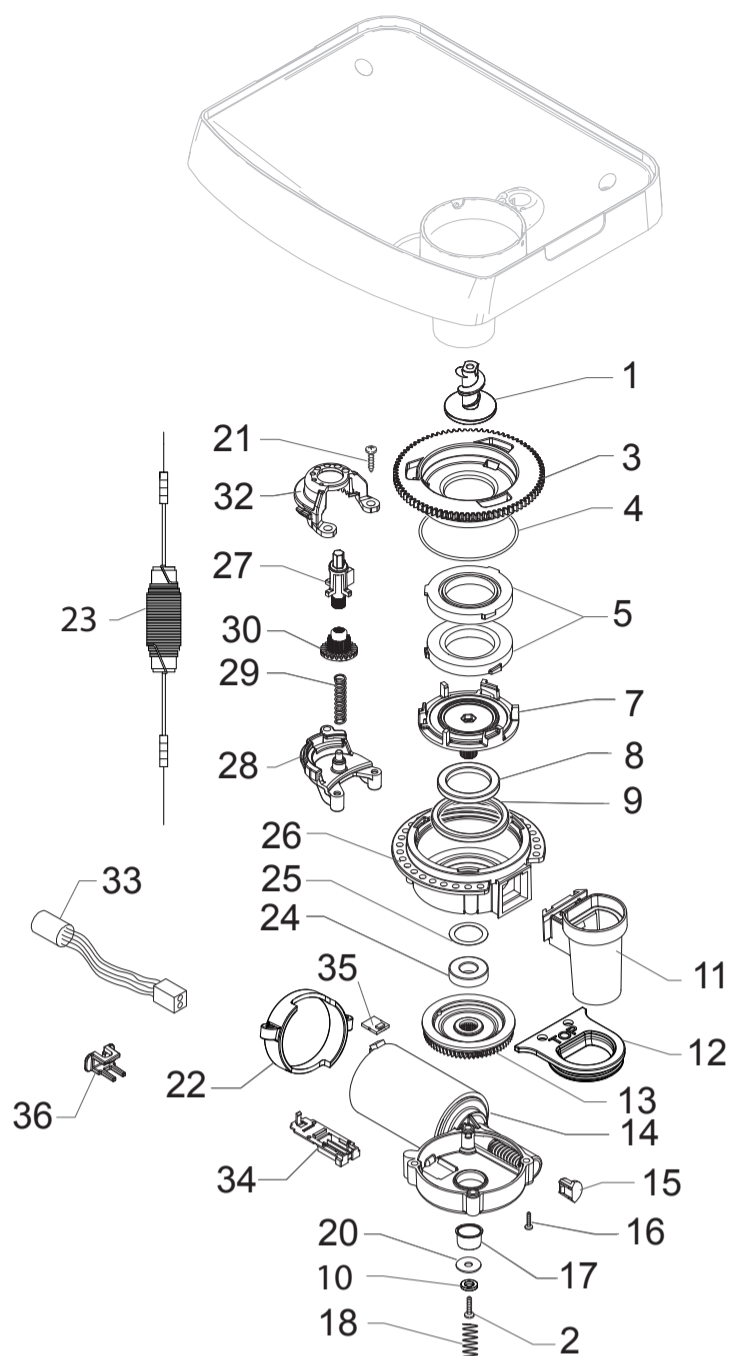


**Cod.882875857540-882875947540**  
**Cod.882888719870-882888819870**  
**Cod.882890001010- 011010- 882890201010-882890401010**

POS	CODE	12NC	DESCRIPTION	NOTE	POS	CODE	12NC	DESCRIPTION	NOTE
01		421944026251	2WAY SOLENOID VALVE V2 NPR/H-P 24V ASSY.		30	12000892	996530007947	OETIKER CLAMP D=9,5 16700004	
02	12000450	996530007819	SCREW TCBR TORX 10 3,5X12 PLAST.ZN-N		31	190800100	996530026997	TEMPERATURE SENSOR NTC UL L=280MM	
03	11013894	996530006914	BLK FORK FOR STEAM TUBE GXSM		32		421941284802	GRY BOILER INSULATING COVER NPR	
04	11005757	996530003103	STEAM TUBE SUPPORT P0057	230V	33	JS01.022	996530057357	SILICONE TUBE 5X10 60SH	IN ROLL
		421944028161	STEAM TUBE SUPPORT PPS P0057	120V	34	16000380	996530009505	5X8,9 SILICONE TUBE	IN ROLL
05	140324461	996530013509	OR ORM 0060-20 NBR FDA		35		421944031451	CHROMED STEAM TUBE INSERT COVER SMR/H	
06	11011127	996530005979	BLK PA6 BUSH FOR STEAM TUBE P0057					<b>HD8904/01-HD8888/19-HD8759/47</b>	
07	11027861		TF/CHROM.STEAM TUBE D=5,4 NPR ASSY.		36		421941301143	BLK STEAM TUBE INSERT V3 SMR/H	
08		421941300671	BLK/SIL.STEAM TUBE HANDGRIP G0053				421941301142	BLK STEAM TUBE INSERT V2 SMR/H	<b>HD8759/47</b>
			<b>HD8902/01-HD8887/19-HD8758/57</b>		37		421944023801	BLK CAPPUC.V3 SMR/H ASSY.	
09	11001620	996530000925	BLACK PANNARELLO INTERNAL TUBE P0049					<b>HD8904/01-HD8888/19-HD8759/47</b>	
			<b>HD8902/01-HD8887/19-HD8758/57</b>		38		421944023812	BLK CAPPUC.CASING COVER V5 SMR/H ASSY.	
10	11001621	996530000926	STAINLESS STEEL PANNARELLO COVER P0049					<b>HD8904/01-HD8888/19-HD8759/47</b>	
			<b>HD8902/01-HD8887/19 - HD8900/11</b>		39	NM01.028	996530059392	O-RING 106 RED SILICONE	
	11001769	996530001012	BLACK PANNARELLO COVER P0049					<b>HD8904/01-HD8888/19-HD8759/47</b>	
			<b>HD8758/57 HD8900/01</b>		40		421944022461	BLK CAPPUC.CASING V3 SMR/H	
11	16000540	996530009523	TRANSPAR. 10,5X12,3 SILICONE TUBE	IN ROLL				<b>HD8904/01-HD8888/19-HD8759/47</b>	
12	17000114	996530068077	FLOW SELECTOR FAUCET NPR		41		421941301121	BLK CAPPUC.CASING COVER RING SMR/H	
13	-	-	<b>NOT AVAILABLE</b>					<b>HD8904/01-HD8888/19-HD8759/47</b>	
14	-	-	<b>NOT AVAILABLE</b>		42		421941301131	BLK CAPPUC.CASING SEAL SMR/H	
15	-	-	<b>NOT AVAILABLE</b>					<b>HD8904/01-HD8888/19-HD8759/47</b>	
16	-	-	<b>NOT AVAILABLE</b>		43	147922350	996530017377	BLK CONNECTOR 90° FOR SPHERIC.CAPPUC	
17	-	-	<b>NOT AVAILABLE</b>					<b>HD8904/01-HD8888/19-HD8759/47</b>	
18		421941215942	BLK SLIM/EXSL TUB.BOILER SUPPORT V2		44	9972.045	996530051237	SILICONE TUBE 3,5X6 L=350 MM DS	
19	12001715	996530069758	SCREW TCB TORX 20 M4X8 AUTOFORMING ZN-B					<b>HD8904/01-HD8888/19-HD8759/47</b>	
20	12001033	996530007973	THERMOSTAT ONE SHOT 190°				421944056011	GEN.TUB.BOILER NP5 1900W 230V ASSY	COMPLETE
21	11001751	996530000997	TUB.BOILER V3 UPPER THERM.FIXING SPRING					WITH PART N°19-20-21-23-31	
22	12001280	996530008024	SCREW TSP TORX 10 5X20 PLAST.ZN-B				421944058671	GEN.TUB.BOILER NP5 1300W 120V ASSY	COMPLETE
23		421944028841	TUB.BOILER XS4 ASSY.	230V-1900W				WITH PART N°19-20-21-23-31	
		421944046121	TUB.BOILER XS4 ASSY.	120V-1300W					
24	11024863	996530068178	L-F/BR.SAFETY VALVE 16-18 BAR ASSY.						
25	149205850	996530018056	BLACK TYPE ULKA PUMP W/BEVEL SUPPORT						
26		421941305991	ULKA PUMP EP5FMGW	230V-50HZ					
		12000142	ULKA PUMP EAP5/S	120V-60HZ					
27		421946000131	2P.CONN.PUMP V2 CLP UL ASSY.						
28		421946000141	3P.CONN.FLOWMETER V2 CLP UL ASSY.						
29	NV99.099	996530059843	TURBINE D=1,2 932-8521/00 ASSY.						



**INTELIA EVO2 AMF-CMF / BELLA**  
**INTELIA CLASS EVO2 - INTELIA FOCUS EVO2**



HD8758/57 HD8759/47  
 HD8887/19-HD8888/19  
 HD8900/01-11- HD8902/01-HD8904/01



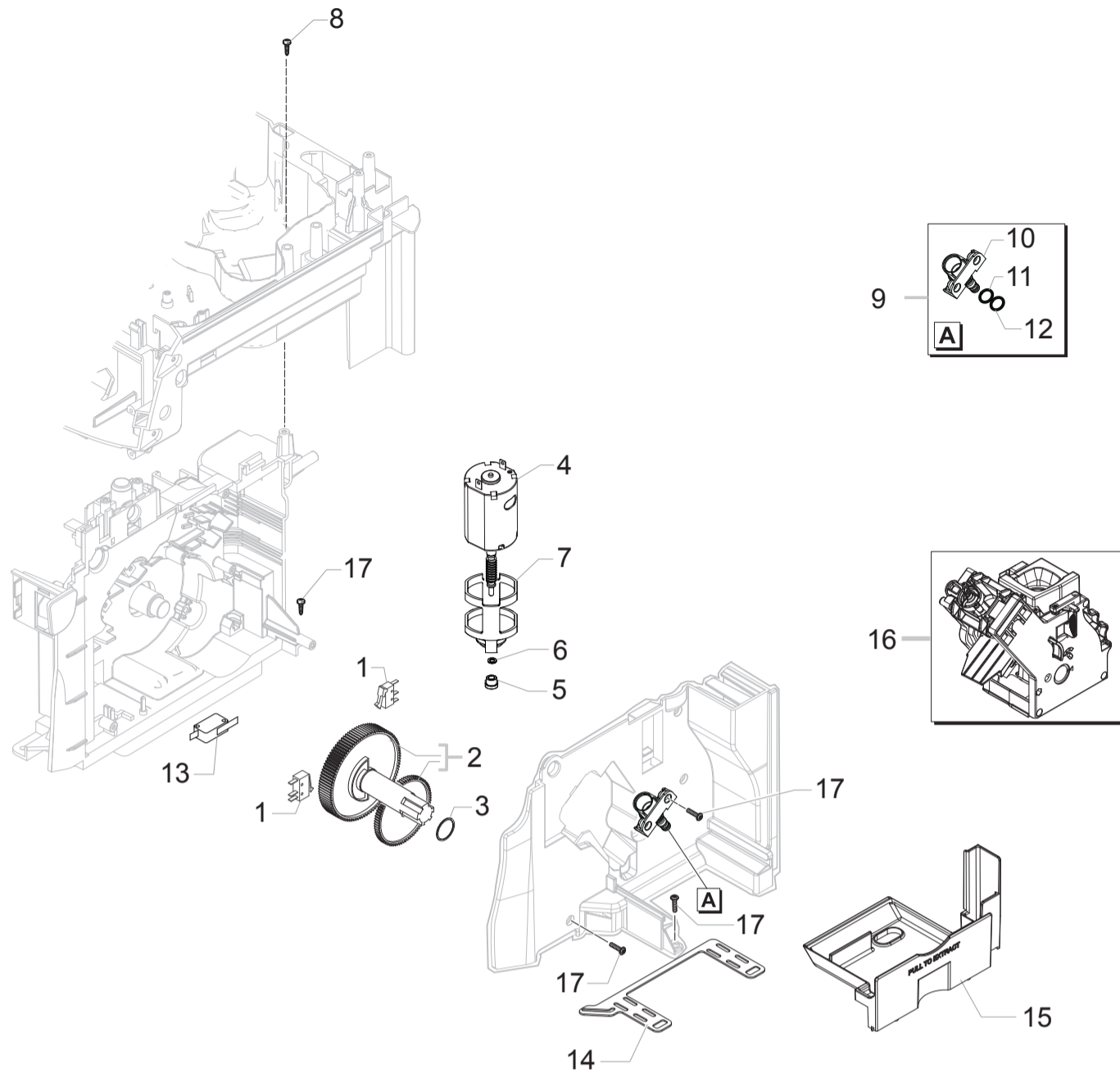
Cod.882875857540-882875947540  
 Cod.882888719870-882888819870  
 Cod.882890001010- 011010- 882890201010-882890401010

POS	CODE	12NC	DESCRIPTION	NOTE	POS	CODE	12NC	DESCRIPTION	NOTE
01	11010031	996530005586	TEA/ZAMA INCREASE SCREW GRINDER		36	17001921	996530072477	BLK WIRING FIX INSERT FOR GRINDER BOARD	120V
02	129574802	996530012928	SCREW TCB TORX 20 M4X30 ZN-B						
03		421941094152	BLK COF.GRINDER UPPER GRINDER SUPPORT V2				421944054091	GEN.MOTOR COF.GRINDER NP5 ASSY.	230V
04	140328960	996530013577	OR ORM 0530-15 NBR FDA				421944058761	GEN.MOTOR COF.GRINDER NP5 ASSY	120V
05	146520100	996530016342	BAKED CLAY GRINDER 48X28						
06	11012466	996530006412	BRASS BUSH BEAN CONT.FINGER PROTEC.P0057	230V					
07	149198350	996530017952	BLK LOWER COFFEEGRINDER GRINDER SUPPORT						
08	123030300	996530011183	AXIAL BEARING EKKO 342.35252						
09	140360500	996530013597	FELT RING 45,4X39,4X4						
10	128310402	996530012341	GALV.WASHER UNI 8842 A4						
11	11026355	996530068049	BLK GROUND COFF.OUTLET CONVEYOR V4 ASSY.						
12		421944060561	GRY GROUND COF.CONT.LOWER SEAL V2 SMART1						
13	226000300	996530029609	GEAR SX Z=38 FOR GRINDER MOTION ASSY.						
14		421944049151	MOTOR COFFEEGRINDER V3.2 ASSY.	230V					
		421941305001	MOTOR COFFEEGRINDER V3.1 ASSY.	120V					
15	149214800	996530018139	MC V3 MOD=1,25 WORM SCREW CENTRING CAP						
16	129661702	996530012992	SCREW TCB TORX 3,5X30 PLAST.ZN-B						
17	11002873	996530001389	INSULATOR BUSH FOR GRINDER MOTOR P124						
18	11000597	996530000376	COFFEE GRINDER SUPPORT SPRING P124						
19	11014285	996530007058	BLK V2 BEAN CONTAIN.FINGER PROTECT.P0057	230V					
20	128381902	996530012375	STEEL FLAT WASHER DI=4,3 DE=14 SP=1,5						
21		421944016761	SCREW TCB TORX 10 3,5X12 PLAST.ZN-NI						
22	11000194	996530000115	BLACK COFFEEGRINDER MOTOR SUPPORT P124						
23		421946031681	2P.CONN.COF.GRINDER MOTOR NP5 UL ASSY	230V					
		421946000121	2P.CONN.COF.GRINDER MOTOR V2 NPR UL ASSY	120V					
24	123030200	996530011182	RADIAL BEARING 61900.2RS1						
25	128381800	996530012374	STEEL CRINKLE WASHER 21,8X14X0,25						
26	142905450	996530015258	BLK UPPER BODY WITH COFFEE GROUND OUTLET						
27		421944025161	YLW BEAN COFFEE GRINDER INSERT SMR						
28	11002613	996530001314	LOWER COFFEEGRINDER GEAR SUPPORT P124						
29	11002572	996530001308	COFFEEGRINDER REGULATION SPRING P124						
30	11003784	996530001907	COFFEE GRINDING ADJUSTMENT GEAR P0049						
31	U043.004	996530061808	ZN-B TCB SCREW M4X16	230V					
32	11002508	996530001296	UPPER COFFEEGRINDER GEAR SUPPORT P124						
33		421946000091	3P.CONN.MC SENSOR V2 NPR UL ASSY.	120V					
34	149199050	996530017963	BLK SENSOR SUPPORT FOR COF.GRINDER MOTOR	120V					
35	181540900	996530022784	ELECTR.BOARD WITH SENSOR HAL506 SF-K	120V					



INTELIA EVO2 AMF-CMF / BELLA  
 INTELIA CLASS EVO2 - INTELIA FOCUS EVO2





HD8758/57 HD8759/47  
 HD8887/19-HD8888/19  
 HD8900/01-11- HD8902/01-HD8904/01

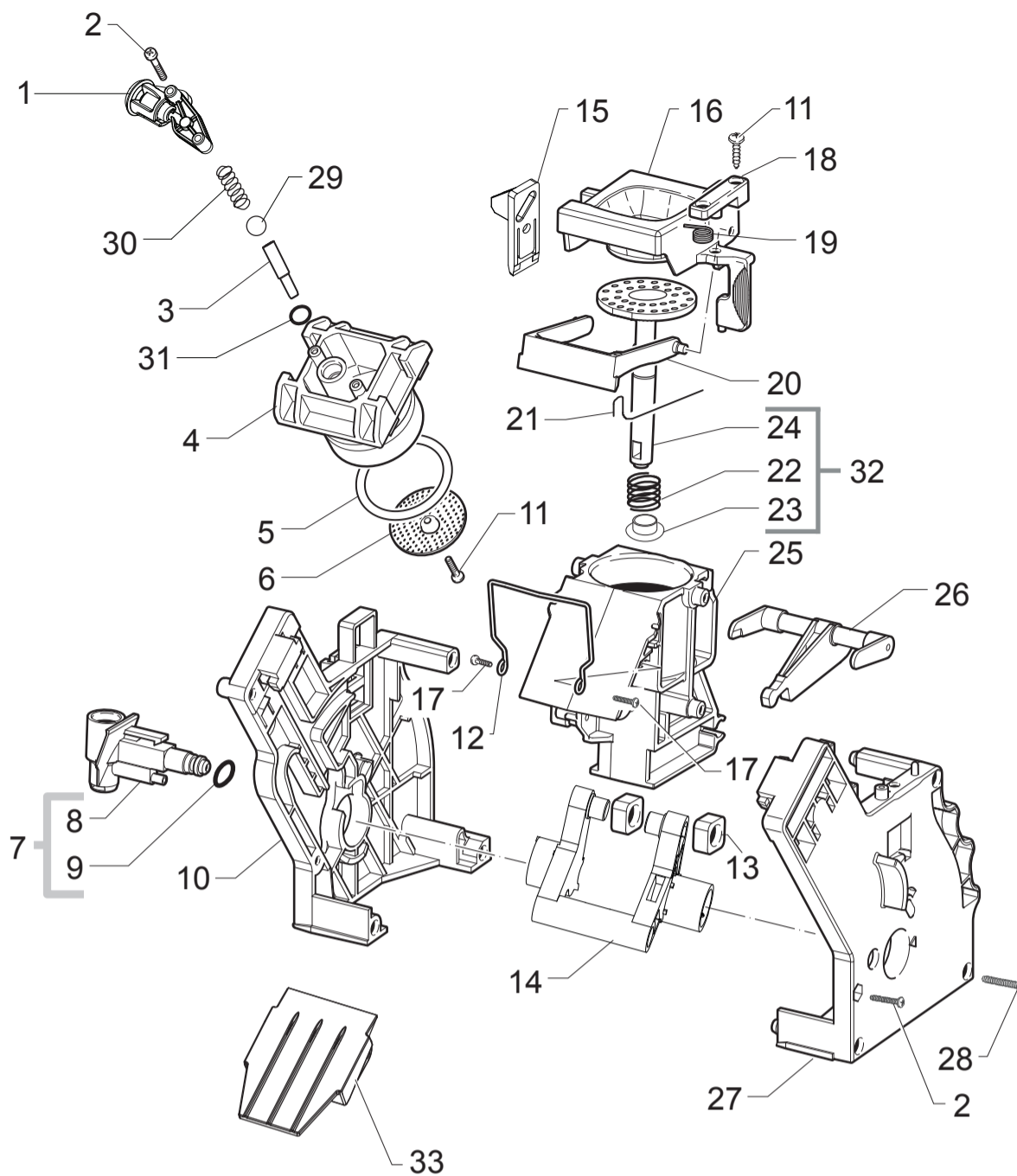


Cod.882875857540-882875947540  
 Cod.882888719870-882888819870  
 Cod.882890001010- 011010- 882890201010-882890401010

POS	CODE	12NC	DESCRIPTION	NOTE	POS	CODE	12NC	DESCRIPTION	NOTE
01		421946025541	MICROSWITCH XC/SM1 V2						
02	20000900	996530009913	SPARES KIT GEARS FOR RATIOMOTOR V2						
03	9161.132	996530050569	MYLAR WASHER FOR RATIOMOTOR						
04	11005214	996530002796	MOTOR FOR RATIOMOTOR P124 ASSY.						
05	9121.046	996530049898	BRONZE SINTERED BUSH FOR MOTOR RATIOMOT.						
06	148380200	996530017424	BAKELIZZATE WASHER D=5,5						
07	9121.044	996530049896	ANTIVIBRATION FOR MOTOR						
08	12000450	996530007819	SCREW TCBR TORX 10 3,5X12 PLAST.ZN-N						
09		421944060181	PIN FOR FLOW SEL.FAUCET V2 PPS P0057 AS						
10		421944059371	PIN FOR FLOW SELECT.FAUCET PPS V2 P0057						
11	NM01.035	996530059399	OR ORM 0090-20 SILICONE						
12	NM01.057	996530059419	OR ORM 0050-20 IN SILICONE						
13	12001890	996530073209	MICROSWITCH XG/V3D						
14	17000685	996530072515	BLACK SEAL FOR RATIOMOTOR PLATE NPR						
15	17001336	996530068732	GREY BREW UNIT DRAWER COFFEE NPR						
16		421944053951	BLK BREW UNIT 8GR.5BAR V4 HGO						
17		421944016761	SCREW TCBR TORX 10 3,5X12 PLAST.ZN-NI						



INTELIA EVO2 AMF-CMF / BELLA  
 INTELIA CLASS EVO2 - INTELIA FOCUS EVO2



HD8758/57 HD8759/47  
 HD8887/19-HD8888/19  
 HD8900/01-11- HD8902/01-HD8904/01



Cod.882875857540-882875947540  
 Cod.882888719870-882888819870  
 Cod.882890001010- 011010- 882890201010-882890401010

POS	CODE	12NC	DESCRIPTION	NOTE	POS	CODE	12NC	DESCRIPTION	NOTE
01		421944065221	BLK BREW UNIT COF.OUTLET SLEEVE SMR ASSY						
02	12000550	996530007838	SCREW TCB TORX 10 3X25 PLAST.SS						
03	11009276	996530005372	BLK COUNTER PISTON TUBE BREW UNIT S0053						
04	11001840	996530001046	BLACK COUNTER PISTON BREW UNIT 8GR.P124						
05	NM01.044	996530059406	OR ORM 0320-40 SILICONE PTFE/FDA						
06	9161.268	996530050709	PERCOLATOR DE=35,8 ELFO						
07	20000440	996530009825	BLACK WATER INLET SLEEVE BREW UNIT ASSY.						
08	9161.064.050	996530050488	BLACK WATER INLET SLEEVE BREW UNIT ROYAL						
09	NM02.007	996530059441	OR 2025 IN TERMOIL						
10	9161.375.050	996530050832	BLACK BREW UNIT REAR PLATE SMART						
11	12000895	996530007951	SCREW TSP TORX 10 3X10 PLAST.SS						
12	11001556	996530000898	SS BREW UNIT SPRING H=49 SMART						
13	9161.094.050	996530050539	BLACK BREW UNIT DRILLED BLOCK						
14		421944051231	YLW BREW UNIT ELBOW SHAFT M5000						
15		421944046931	YLW BREW UNIT COUPLING PLATE V2 SMART						
16	149261350	996530018241	BLACK HOPPER DOSER BREW UNIT SMART1						
17	129912521	996530013148	SCREW TCB TORX 10 3,5X14 PLAST.SS						
18		421944050711	YLW BREWUNIT HOPPER BLOCKING PLATE SMART						
19	9161.378	996530050838	SS HOPPER SPRING FOR BREW UNIT SMART						
20	11004161	996530002096	BLACK SCRAPER FOR BREW UNIT M5000						
21	9161.046	996530050455	SS SCRAPER SPRING FOR BREW UNIT						
22	9161.198	996530050627	SS.8GR.BREW UNIT PISTON SPRING						
23	9161.191	996530050618	WHITE 8GR.-12GR.BREW UNIT PISTON BUSH						
24		421944025621	BLK BREW UNIT INTEGR.PISTON 8GR.V3 ASSY.						
25		421944014611	BLK COF.CONTAIN.BREW UNIT V2 M5000 ASSY.						
26	11003078	996530001452	BLACK CONNECTING ROD BREW UNIT 8GR.						
27	11005920	996530003228	BLACK BREW UNIT FRONT PLATE S/SCR.SMART						
28	12000897	996530007953	SCREW TCB TORX 10 3,5X20 PLAST.SS						
29		421944034451	BOROSILICATE SPHERE D.5 MM						
30	11012095	996530006305	SS COFFEE UNIT CONTERPISTON SPRING S0053						
31	140328761	996530013575	OR ORM 0060-15 TERMOIL						
32		421944029791	BLK BREW UNIT 8GR.INT.PISTON GEN.V3 ASSY						
33	17000663	996530073322	BLK BREW UNIT CONVEYOR SLIDE L=76,8						
		421944053951	BLK BREW UNIT 8GR.5BAR V4 HGO						



INTELIA EVO2 AMF-CMF / BELLA  
 INTELIA CLASS EVO2 - INTELIA FOCUS EVO2