

HD8753/03-92-94-95
HD8753/96-98 HD8884/09



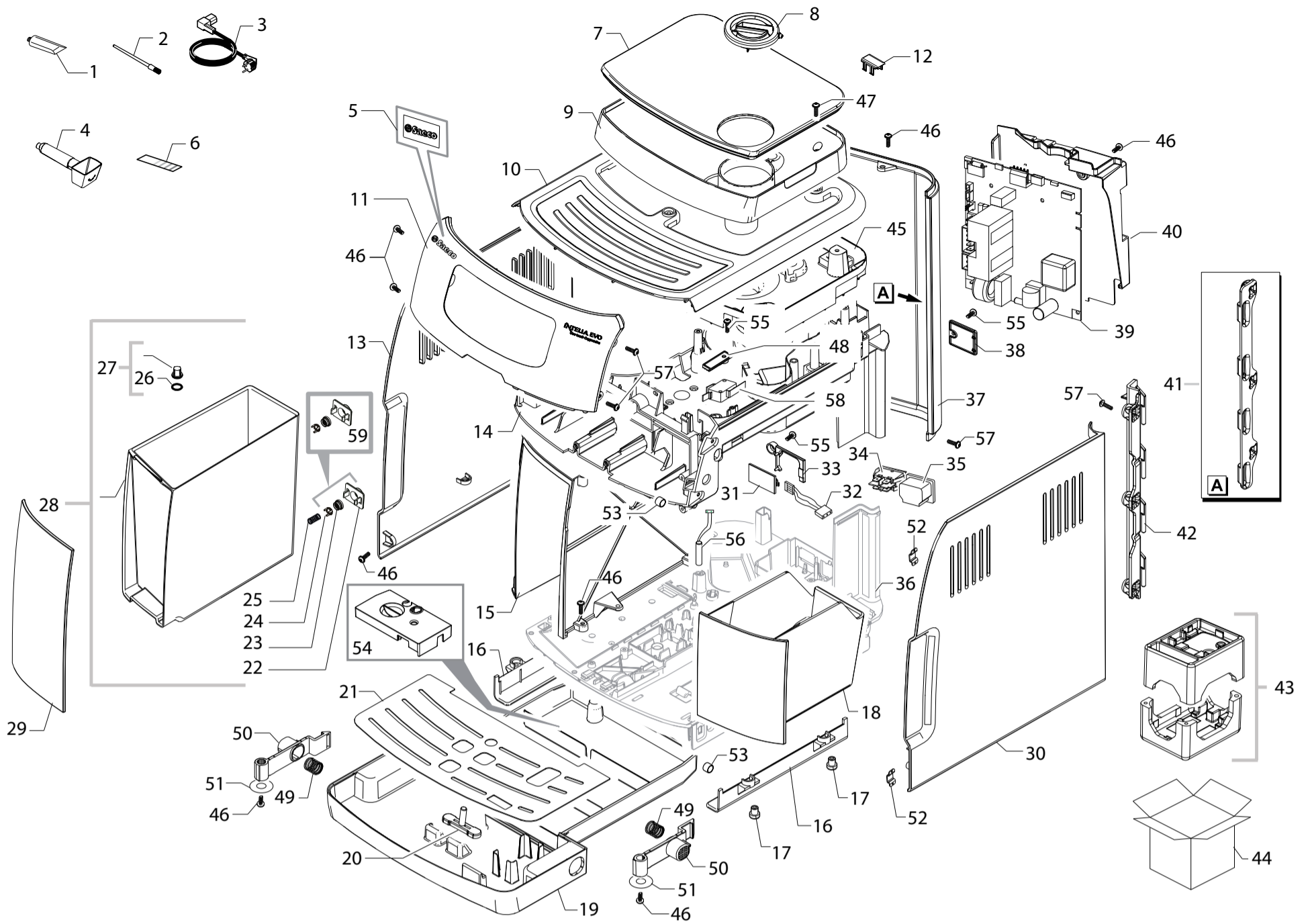
Cod. 882875303630-882875392010-5394300-10004207
Cod. 10004223-882875398500-8409010

POS	CODE	12NC	DESCRIPTION	NOTE	POS	CODE	12NC	DESCRIPTION	NOTE
01		421946017941	KLUBERLUB NH1 11-222 TUBE 5GR.		26	140328461	996530013571	OR ORM 0190-10 EPDM	
02	127390100	996530011867	BRUSH FOR CLEANING		27	224640200	996530029115	WHITE WATER CONTAINER EXT.FILTER ASSY.	
03		421946001591	BLK POWER CABLE SCHUKO L=800		28		421944056301	NAT/GRY WATER CONTAINER V2 NPR ASSY	
	183940650	996530025872	BLK POWER CABLE AUSTRALIA L=1200		29	11029853	996530072452	ANTHRAC.WATER TANK FRONT COVER NPR	
	183970350	996530025882	BLK POWER CABLE UK L=1200			11028561	996530070361	SS WATER TANK FRONT COVER NPR/HM ASSY.	CAPP.METAL
04		421944033301	BLK ABS COFFEE MEASURE SMART		30		421944040591	M/BLK RIGHT SIDE DOOR V4 NPR	
05	11030768	996530072703	ADHES.SILVER PLATE LOGO SAECO NPR	CAPP.METAL	31	11003232	996530001522	AS.CPU+SW WATER LEVEL SENSOR V2	
06	0301.961	996530039604	STICKER FOR WATER HARDNESS TEST		32		421946000081	3P.CONN.WATER LEVEL V2 CLP UL ASSY.	
07	17001245	996530068681	NAT/GREY BEAN COFFEE CONTAIN.LID NPR/H-T		33	17001179	996530068749	BLK CAPACIT.SENSOR LOCKING INSERT NPR	
08	7001244	996530068685	NAT/GREY GROUND COFFEE HOPPER LID NPR		34	NE03.038	996530058836	BIPOLAR SWITCH FUSIT C1250AR	IF PRESENT
09	17001234	996530068743	NAT/GREY BEAN COFFEE CONTAINER NPR				242212625107	SWI POW 2P 16A 250V FASTON IEC 1552 B	HD8753/03
10	20007111	996530072668	SPARES KIT SS/ANT UPPER CASING COV.NPR/T		35	12001883	996530072437	CUP SOCKET V3 EN 60320 C 13	
11	11029868	996530072672	ANTHRAC.FRONT PANEL S/SCR.NEW NPR/T		36		NOT AVAILABLE	BLK CASING BOTTOM V3A NPR/T	
	11030177	996530072678	SS FRONT PANEL S/SCR.NEW NPR/TM ASSY.	CAPP.METAL	37	17001240	996530068714	BLACK REAR CASING NPR	
12	17001380	996530069844	TRANSP.COVER INFRAREDS ACCESS NPR/T		38	17001484	996530068728	BLACK REAR CASING PROGRAM.INSERT NPR	
13	17001299	996530068729	BLACK LEFT SIDE CASING NPR		39	11030736	996530072671	CPU+SW V2 NPR/T ASSY.	230V
14	11030131	996530071883	BLK COFFEE GRINDER SUPP.PLATE V2 NPR/T				421941305832	CPU+SW V3 NPR/E 230V ASSY.	230V
	17001305	996530069859	BLACK COFFEE GRINDER SUPP.PLATE NPR/T	CAPP.METAL	40		421944017971	BLK PWR/CPU BOARD PROTECTION V2 P0057	
15	17001114	996530068752	BLACK CASING BOTTOM INSERT NPR		41		421944022751	BLK HINGE FOR REAR CASING XSM.	
16	17001110	996530068723	BLACK DRIP TRAY GUIDE NPR		42		421944022731	BLK HINGE FOR DOOR RIGHT SIDE XSM	
17	147622800	996530016875	TRANSPARENT SILICONE FOOT		43	20007026	996530069832	KIT PS-E INSERT FOR BOX NPR/T	
		421324705256	FOOT		44		421944053741	DISPL.BOX DFX V3 NPR/T-TM SAE INTEL.OTC	
			UP TO S/N TU901425090811		45		421944058831	BLK COF.GRINDER SOUNDPROOFING COV.V3 NPR	
			FROM S/N TU901425090812		46	12000450	996530007819	SCREW TCBR TORX 10 3,5X12 PLAST.ZN-N	
18	11029867	996530072687	ANTHRAC.DUMP BOX NPR/T		47	129914002	996530013165	SCREW TCB TORX 10 3,5X16 PLAST.ZN-B	
	11028590	996530070394	SS DUMP BOX NPR/TM ASSY.	CAPP.METAL	48	17000064	996530067437	BLK CAPACIT.SENSOR DEADLOCK INSERT XSM	
19	11029866	996530072699	BLACK DRIP TRAY V2 NPR/T ASSY.		49	11000759	996530000487	HOT WATER TUBE SPRING P124	
		421944013031	BLK DRIP TRAY V3 NPR/T ASSY.		50	17001731	996530072693	BLACK DRIP TRAY LOCKING INSERT V2 NPR/T	
			UP TO S/N TU901335143351		51	U207.004	996530062034	PLAIN WASHER 4,3X16 UNI 6592 GAL	
			FROM S/N TU901335143352		52	11013220	996530069857	STEEL PLATE FOR DOOR MAGNET XSM	
20	11013184	996530006683	RED FLOAT FOR DRIP TRAY XSM		53	9161.111	996530050555	MAGNET FOR FLOAT SUPERAUT.	
		421941304791	RED/3003 FLOAT FOR DRIP TRAY XSM	HD8753/92	54	17000838	996530069839	BLACK DRIP TRAY COVER NPR/T	
21	17001680	996530072683	SB/SS GRATE FOR DRIP TRAY V2 NPR/T					UP TO S/N TU901335143351	
22		421944040061	BLK LID FOR WATER CONT.VALVE V2 P0049		55	129913202	996530013156	SCREW TCB TORX 10 3X8 PLAST.ZN-B	
		421944040781	BLK GASKET FOR WATER CONT.VALVE V2 P0049		56	17800432	996530072785	2POLES CONNECT.SENSOR REED DOOR V2 G0053	
			FROM S/N. TU901606010610					UP TO S/N TU901335143351	
		421944040071	BLK WATER CONT.VALVE INSERT V2 P0049		57	12001728	996530070321	SCREW TCBR TORX 10 3,5X12 PLAST.SS	
			FROM S/N. TU901606010610		58	12001890	996530073209	MICROSWITCH XG/V3D	
25	11003672	996530001831	SS SPRING FOR WATER CONTAIN.VALVE P0049						



INTELIA EVO CAPPUCINO - CAPPUCINO METAL

TABLE 1A/7



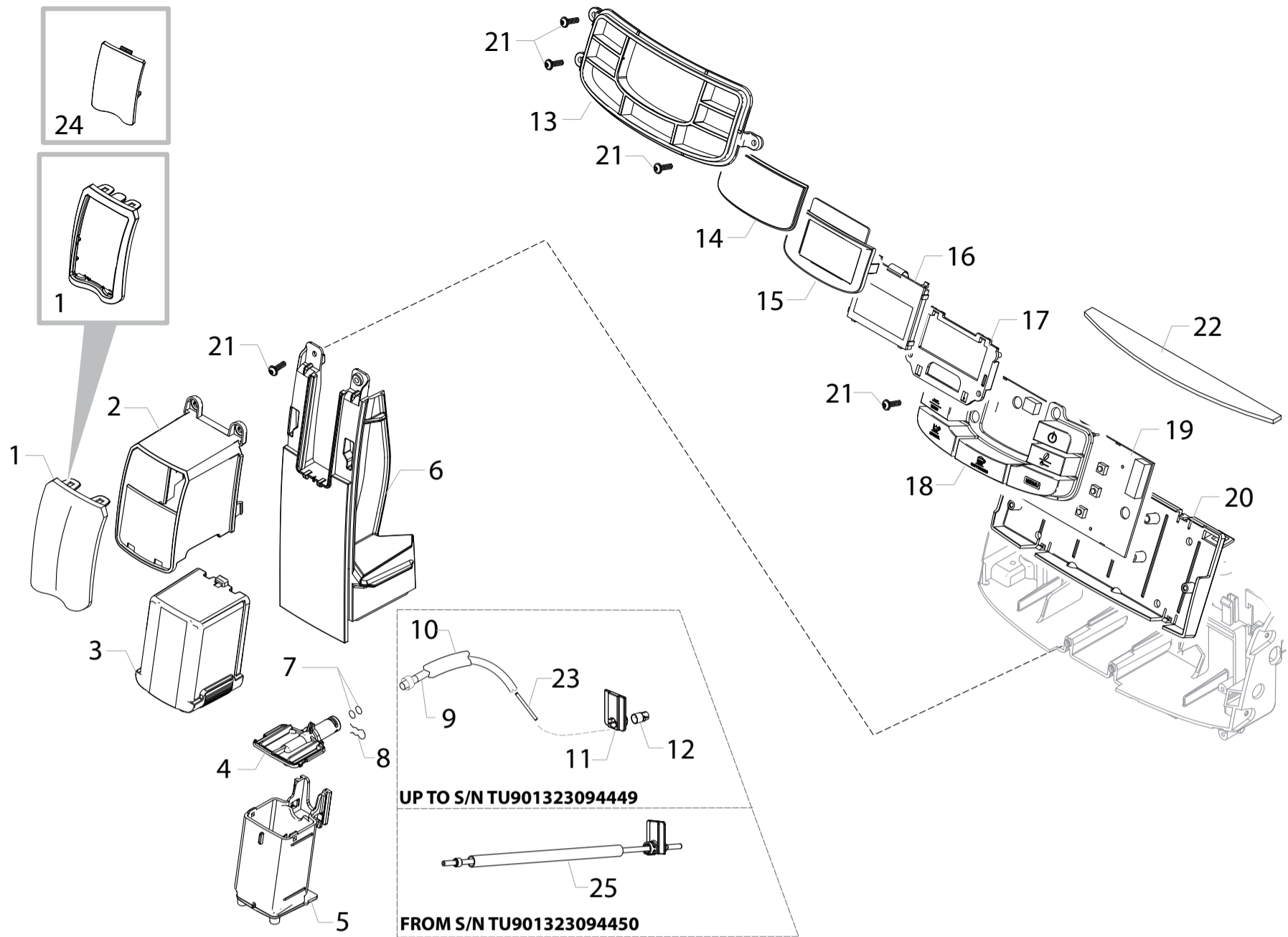
HD8753/03-92-94-95
HD8753/96-98 HD8884/09



Cod. 882875303630-882875392010-5394300-10004207
Cod. 10004223-882875398500-8409010

POS	CODE	12NC	DESCRIPTION	NOTE	POS	CODE	12NC	DESCRIPTION	NOTE
59		421941308821	KIT SP.COMPONENTS WATER CONTAINERS ASSY UP TO S/N. TU901606010609						





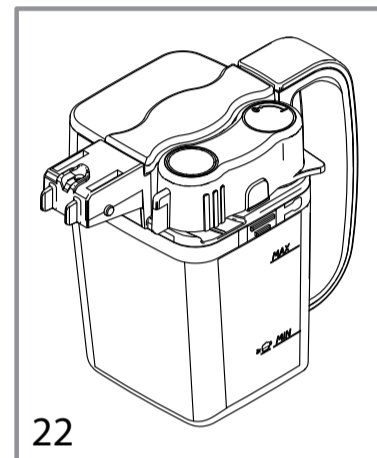
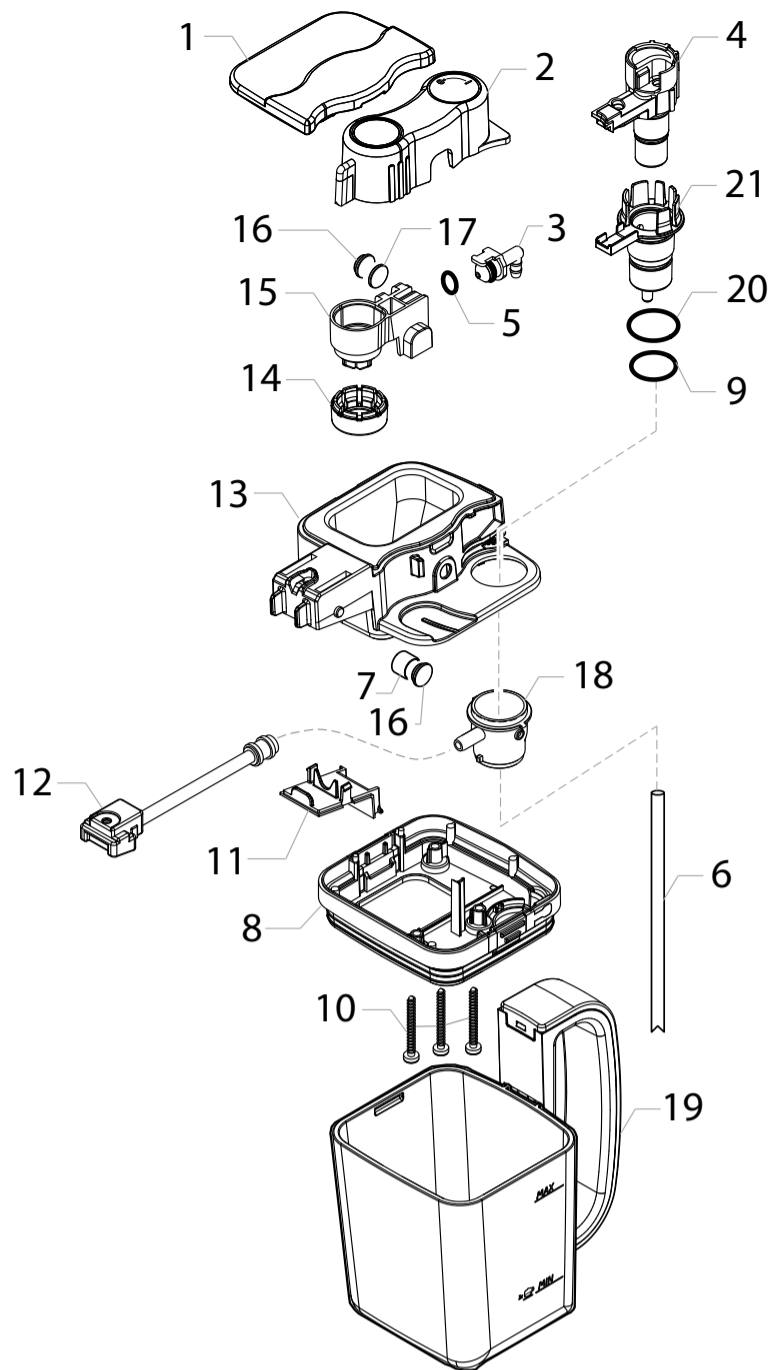
HD8753/03-92-94-95
HD8753/96-98 HD8884/09



Cod. 882875303630-882875392010-5394300-10004207
Cod. 10004223-882875398500-8409010

POS	CODE	12NC	DESCRIPTION	NOTE	POS	CODE	12NC	DESCRIPTION	NOTE
01	11029779	996530072482	CHROM.COFF.DISPEN.FRONT PLATE V2 NPR/H-T						
	11028589	996530070369	SS COF.DISPENS.FRONT PLATE NPR/HT-TM ASS	CAPP.METAL					
02	11030529	996530072523	CRC COFFEE DISPENSER LID NPR						
	11030355	996530072499	ANTHRAC.COFFEE DISPENSER LID NPR	CAPP.METAL					
		421944049371	G/ANM COFFEE DISPENSER LID NPR	HD8753/92					
03	17001242	996530068698	BLACK COFFEE DISPENSER MOBILE PART NPR						
04	17001246	996530068742	BLACK COFFEE DISPENSER BODY LID NPR						
05	17001894	996530071881	BLACK COFFEE DISPENSER BODY V2 NPR						
06	11030564	996530072463	CRC FRONT CASING COVER V2 NPR						
	11028558	996530070368	SS FRONT CASING COVER NPR/HM ASSY.	CAPP.METAL					
07	140328059	996530013564	OR 2015 SILICONE PTFE/FDA						
08	9011.144	996530048885	SS FORK FOR TUBE D=4						
09	11004132	996530002073	TEFLON TUBE 2X4 L=250 MM ASSY.						
10	149361200	996530018278	BLACK SILICONE TUBE 7,5X9,3	IN ROLL					
11	11005100	996530002748	PLATE FOR BUSH TEFLON TUBE 2X4 P124						
12	11005101	996530002749	BLACK BUSH FOR TEFLON TUBE 2X4 P124						
13	11030922	996530072686	CRC TOUCH PANEL FRAME NPR/T						
	11027529	996530069873	CHROM.TOUCH PANEL FRAME NPR/T	HD8753/92					
14	17001112	996530068675	TRANSP.GLASS FOR DISPLAY NPR						
15	17001111	996530068673	BLACK DISPLAY FRAME NPR						
16		421941300941	DISPLAY LCD 128X64 SMR						
17	17001100	996530068682	BLACK DISPLAY SUPPORT NPR						
18	11027330	996530069871	SILVER 7BUTTONS TOUCH PANEL S/SCR.NPR/T						
19	11025830	996530068721	KYB - INTERFACE NPR/H-T						
20	11030078	996530071879	BLACK DISPLAY KEYBOARD SUPPORT V2 NPR						
21	12000450	996530007819	SCREW TCBR TORX 10 3,5X12 PLAST.ZN-N						
22	17001379	996530069814	BLACK ADHESIVE AERSTOP NPR						
23	17000266	996530071774	SS.L=22,6MM INT.BUSH FOR TEFLON TUBE D4						
24	11029841	996530072491	CRC COFF.DISPENSER FRONT INSERT NPR/H-T						
25	11031203	996530073357	TEFL.TUBE 2X4 L=235+PLATE+2BUSH NPR ASSY						
			FROM S/N TU901323094450						





Saeco
INTERNATIONAL GROUP

HD8753/03-92-94-95
HD8753/96-98 HD8884/09



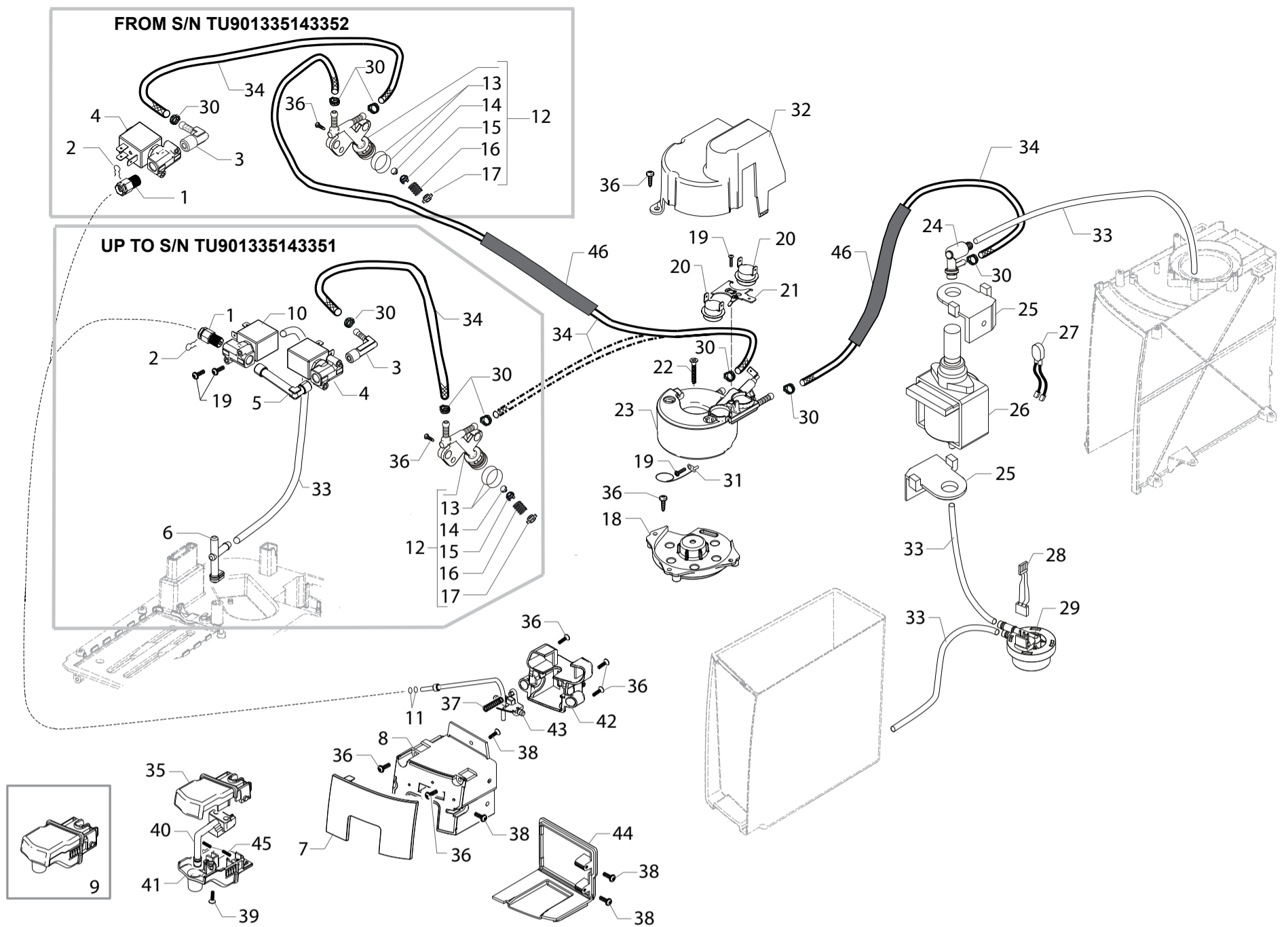
Cod. 882875303630-882875392010-5394300-10004207
Cod. 10004223-882875398500-8409010

POS	CODE	12NC	DESCRIPTION	NOTE	POS	CODE	12NC	DESCRIPTION	NOTE
01	17001743	996530072681	SS/BLK CARAFE COVER PLUG NPR/T ASSY.						
02	11029888	996530072676	BLACK CARAFE CAPPUC.COVER V3 NPR/T						
03	17001194	996530069788	CARAFE STEAM OUTPUT CONNECT.NPR/T ASSY.						
04	11029885	996530072696	BLACK CAPPUC.PIN V2 NPR/T ASSY.						
05	NM01.028	996530059392	O-RING 106 SILICONE						
06	11027297	996530069794	SILICONE TUBE 3,5X6 L= 75 MM						
07	9161.111	996530050555	MAGNET FOR FLOAT SUPERAUT.						
08	11030762	996530072645	MATT/BLACK LOWER COVER PART CARAFE NPR/T						
09	12001804	996530072691	OR ORM 0170-15 EPDM						
10	129914002	996530013165	SCREW TCB TORX 10 3,5X16 PLAST.ZN-B						
11		421944001291	BLK CARAFE REAR COVER INSERT V2 NPR/T						
12	17000585	996530069827	BLACK CARAFE MILK DISPENSER TUBE NPR/T						
13	11030761	996530072649	MATT/BLACK UPPER COVER PART CARAFE NPR/T						
14	17000822	996530069837	BLK CAPPUC.OUTPUT MILK CONN.CARAFE NPR/T						
15	17000489	996530069847	BLACK CARAFE CAPPUC.CASING NPR/T						
16	11014016	996530006968	SS.INSERT FOR MAGNET MYB9						
17	9991.093	996530051816	MAGNET D=9,5 X H=1,5						
18	17001604	996530071934	BLACK CARAFE COVER BUSH V2 NPR/T						
19	20007112	996530072685	SPARES KIT SS/BLK CARAFE HANDLE V2 NPR/T						
20	12001801	996530072674	OR ORM 0190-20 EPDM						
21	17001815	996530072667	BLACK CAPPUC.PIN SUPPORT V2 NPR/T						
22	11029882	996530072682	TRANSP-MATT/BLK GEN.CARAFE V2 NPR/T ASSY						

Saeco
INTERNATIONAL GROUP

INTELIA EVO CAPPUCCINO - CAPPUCCINO METAL

TABLE 3/7



HD8753/03-92-94-95
HD8753/96-98 HD8884/09



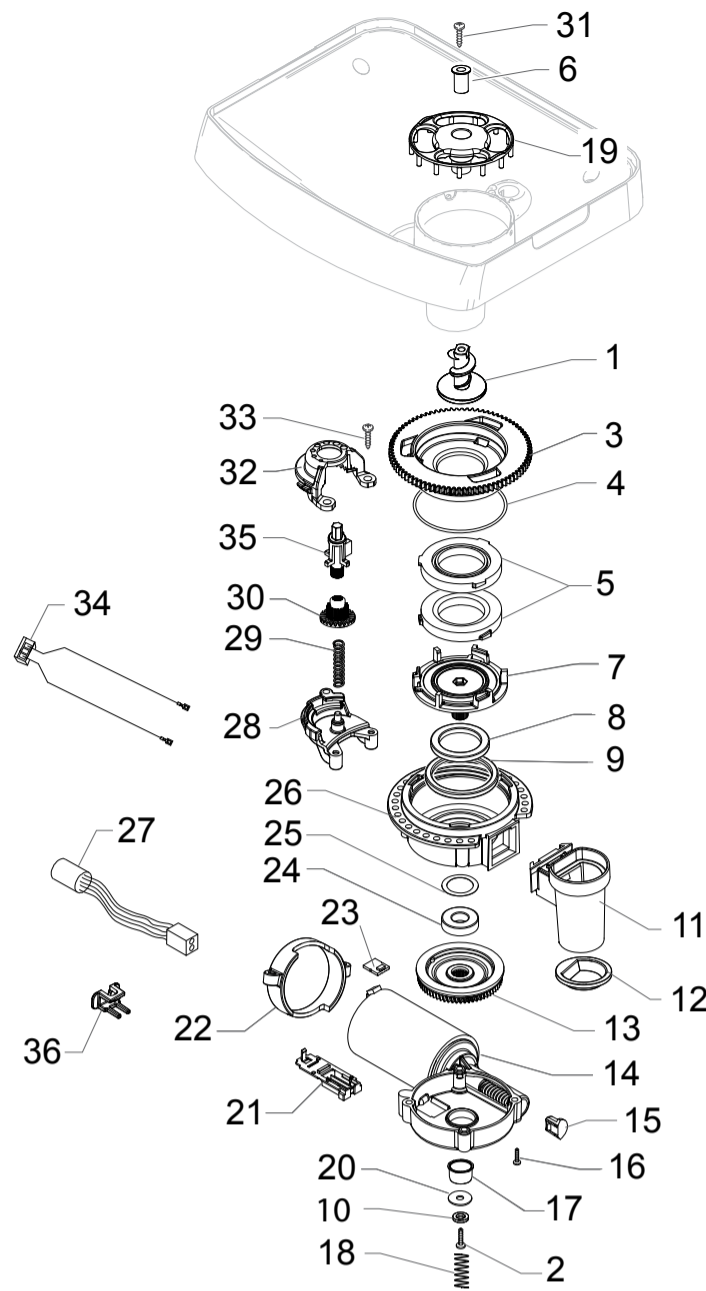
Cod. 882875303630-882875392010-5394300-10004207
Cod. 10004223-882875398500-8409010

POS	CODE	12NC	DESCRIPTION	NOTE	POS	CODE	12NC	DESCRIPTION	NOTE
01	11027572	996530072695	L-F/BRASS CONNECTOR 1/8" FOR TUBE D=4		27		421946000131	2P.CONN.PUMP V2 CLP UL ASSY.	
02	9011.144	996530048885	SS FORK FOR TUBE D=4		28		421946000141	3P.CONN.FLOWMETER V2 CLP UL ASSY.	
03	17001269	996530070397	L-F/BRASS 90°CONNECT.FOR FAUCET EV.NPR/T		29	NV99.099	996530059843	TURBINE D=1,2 932-8521/00 ASSY.	
			UP TO S/N TU901335143351		30	12000892	996530007947	OETIKER CLAMP D=9,5 16700004	
	11024469	996530067632	L-F/BRASS CONNECTOR FOR BOILER AURA		31	190800100	996530026997	TEMPERATURE SENSOR NTC UL L=280MM	
04	11024038	996530067667	2WAY EV OT57 (21JN1RRV20-XT+LBV05024CU)		32		421941284802	GRY BOILER INSULATING COVER NPR	
			UP TO S/N TU901335143351		33	JS01.022	996530057357	SILICONE TUBE 5X10 60SH	IN ROLL
	17001262	996530073681	LFBRASS 2W.EV 21JN1RRV20-X005+LBV05024CU		34	16000380	996530009505	5X8,9 SILICONE TUBE	IN ROLL
			FROM S/N TU901335143352		35	11029892	996530072697	CRC UPPER BODY HOT WATER DISPENSER NPR/T	
05	11031400	996530073514	L-F/BRASS 90°CONNECTOR V2 FOR FAUCET EV.		35	11030357	996530072673	ANT.UPPER BODY HOT WATER DISPENSER NPR/T	CAPP.METAL
			UP TO S/N TU901335143351		36	12000450	996530007819	SCREW TCBR TORX 10 3,5X12 PLAST.ZN-N	
06	17000980	996530067657	BLACK WATER DRAINAGE CONNECTOR XSMC		37	17000006	996530009559	TWO WAY TEFLON TUBES SUPPORT SPRING MYB9	
			UP TO S/N TU901335143351		38	12001728	996530070321	SCREW TCBR TORX 10 3,5X12 PLAST.SS	
07	11029872	996530072689	ANTHR.CARAFE INS.BODY FRONT COVER NPR/T		39	129913902	996530013164	SCREW TCB TORX 10 3X12 PLAST.ZN-B	
	11028591	996530070396	SS CARAFE INS.BODY FRONT COVER NPR/TM AS	CAPP.METAL	40	17001215	996530069842	BLACK HOT WATER DISPENSER TUBE NPR/T	
08	17000600	996530069804	BLACK CARAFE INSERT BODY NPR/T		41	17001205	996530069867	BLK LOWER BODY HOT WATER DISPENS.NPR/T	
09	11029890	996530072669	CRC HOT WATER DISPENSER NPR/T ASSY.		42	17000601	996530069855	BLACK CARAFE GRAFT BODY INSERT NPR/T	
	11030356	996530072701	ANTHRAC.HOT WATER DISPENSER NPR/T ASSY.	CAPP.METAL	43	11027510	996530069851	WHT PREFORM.TEFLON TUBE SUPP.NPR ASSY.	
10	11024039	996530067613	3WAY EV OT57 (31JN1XRV20-SXT+LBV05024CU)				421944009021	WHT PREFORM.TEFLON TUBE SUPP.V2 NPR ASSY	
			UP TO S/N TU901335143351					FROM S/N TU901335143352	
11	140328059	996530013564	OR 2015 SILICONE PTFE/FDA		44	17001142	996530069799	BLK CARAFE INSERT BODY REAR COVER NPR/T	
12	17000114	996530068077	FLOW SELECTOR FAUCET NPR		45	11005395	996530002873	MILK CONTAINER SUPPORT SPRING P124	
13	12000893	996530007948	OR ORM 0120-20 BLACK EPDM		46	16000540	996530009523	TRANSPAR.10,5X12,3 SILICONE TUBE	IN ROLL
14	11008104	996530004722	MUSHROOM VALVE FOR FLOW SELECTOR P0057				11026286	HP/SLIM TUB.BOILER STD 1900W 230V ASSY.	COMPLETE
15	11008105	996530004723	FLOW SELECTOR VALVE SUPPORT P0057					WITH PART N°19-20-21-23-31	
16	11008077	996530004709	STEEL FLOW SELECTOR VALVE SPRING P0057						
17	11008106	996530004724	FLOW SELECTOR VALVE CAP P0057						
18		421941215942	BLK SLIM/EXSL TUB.BOILER SUPPORT V2						
19	129573202	996530012921	SCREW TCB TORX 20 M4X8 AUTOFORMING ZN-B						
20	12001033	996530007973	THERMOSTAT ONE SHOT 190°						
21	11001751	996530000997	TUB.BOILER V3 UPPER THERM.FIXING SPRING						
22	12001280	996530008024	SCREW TSP TORX 10 5X20 PLAST.ZN-B						
23	17000346	996530068751	HP/SLIM TUB.BOILER ASSY.	230V-1900W					
24	11004689	996530002484	TEA/BRASS SAFETY VALVE 16-18 BAR ASSY.						
25	149205850	996530018056	BLACK TYPE ULKA PUMP W/BEVEL SUPPORT						
26		421941305991	ULKA PUMP EP5FMGW 230V-50HZ	230V-50HZ					



INTELIA EVO CAPPUCINO - CAPPUCINO METAL

TABLE 4/7



HD8753/03-92-94-95
HD8753/96-98 HD8884/09



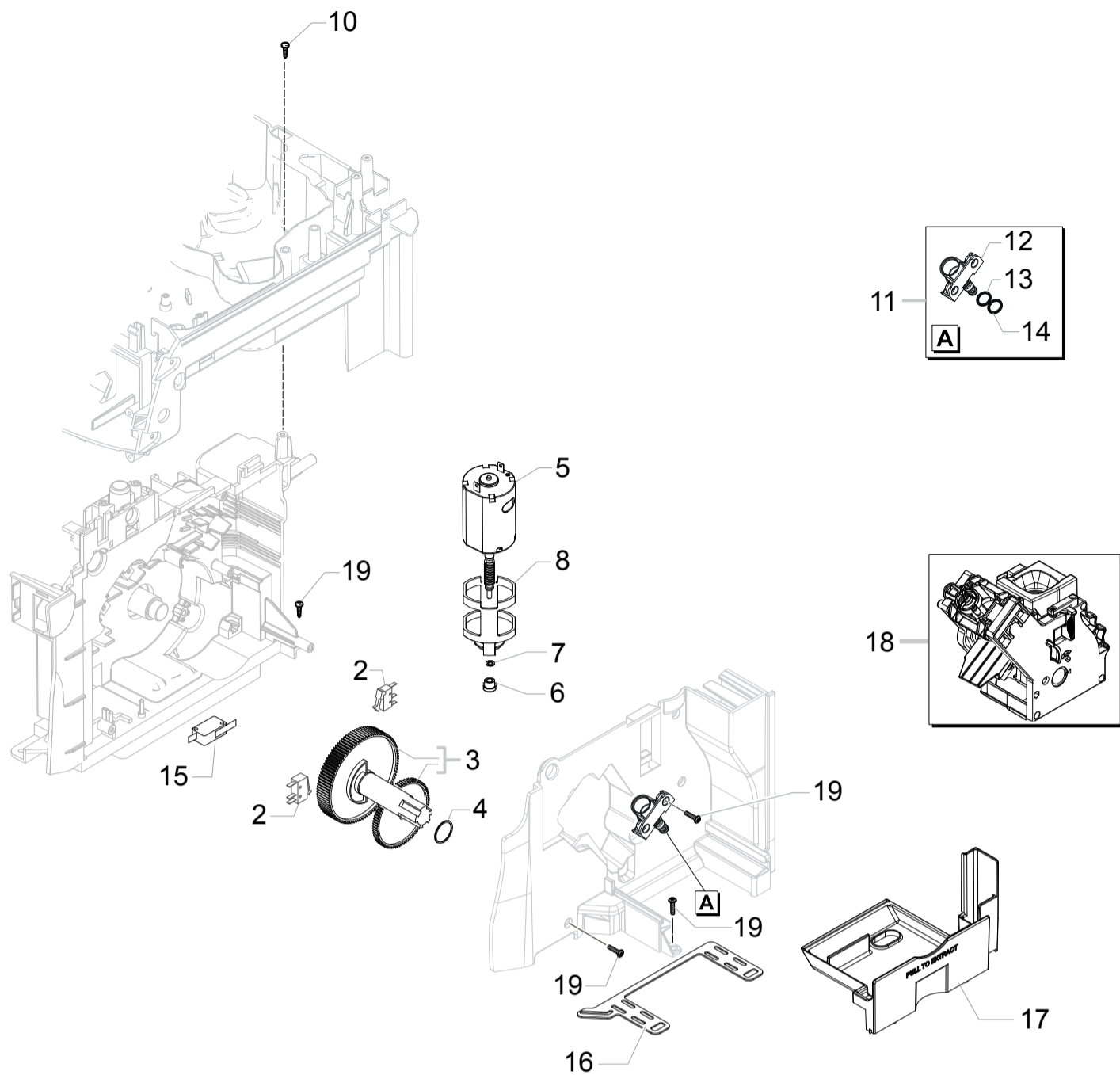
Cod. 882875303630-882875392010-5394300-10004207
Cod. 10004223-882875398500-8409010

POS	CODE	12NC	DESCRIPTION	NOTE	POS	CODE	12NC	DESCRIPTION	NOTE
01	11010031	996530005586	TEA/ZAMA INCREASE SCREW GRINDER						
02	129574802	996530012928	SCREW TCB TORX 20 M4X30 ZN-B						
03		421941094152	BLK COF.GRINDER UPPER GRINDER SUPPORT V2						
04	140328960	996530013577	OR ORM 0530-15 NBR FDA						
05	146520100	996530016342	BAKED CLAY GRINDER 48X28						
06	11012466	996530006412	BRASS BUSH BEAN CONT.FINGER PROTEC.P0057						
07	149198350	996530017952	BLK LOWER COFFEEGRINDER GRINDER SUPPORT						
08	123030300	996530011183	AXIAL BEARING EKKO 342.35252						
09	140360500	996530013597	FELT RING 45,4X39,4X4						
10	128310402	996530012341	GALV.WASHER UNI 8842 A4						
11	11026355	996530068049	BLK GROUND COFF.OUTLET CONVEYOR V4 ASSY.						
12	11030459	996530072511	GRY GROUND COFFEE CONT.LOWER SEAL SMART1						
13	226000300	996530029609	GEAR SX Z=38 FOR GRINDER MOTION ASSY.						
14	11000513	996530000317	MOTOR COFFEEGRINDER V3.1 ASSY.	230V					
15	149214800	996530018139	MC V3 MOD=1,25 WORM SCREW CENTRING CAP						
16	129661702	996530012992	SCREW TCB TORX 3,5X30 PLAST.ZN-B						
17	11002873	996530001389	INSULATOR BUSH FOR GRINDER MOTOR P124						
18	11000597	996530000376	COFFEE GRINDER SUPPORT SPRING P124						
19	11014285	996530007058	BLK V2 BEAN CONTAIN.FINGER PROTECT.P0057						
20	128381902	996530012375	STEEL FLAT WASHER DI=4,3 DE=14 SP=1,5						
21	149199050	996530017963	BLK SENSOR SUPPORT FOR COF.GRINDER MOTOR						
22	11000194	996530000115	BLACK COFFEEGRINDER MOTOR SUPPORT P124						
23	181540900	996530022784	ELECTR.BOARD WITH SENSOR HAL506 SF-K						
24	123030200	996530011182	RADIAL BEARING 61900.2RS1						
25	128381800	996530012374	STEEL CRINKLE WASHER 21,8X14X0,25						
26	142905450	996530015258	BLK UPPER BODY WITH COFFEE GROUND OUTLET						
27		421946000091	3P.CONN.MC SENSOR V2 NPR UL ASSY.						
28	11002613	996530001314	LOWER COFFEEGRINDER GEAR SUPPORT P124						
29	11002572	996530001308	COFFEEGRINDER REGULATION SPRING P124						
30	11003784	996530001907	COFFEE GRINDING ADJUSTMENT GEAR P0049						
31	U043.004	996530061808	ZN-B TCB SCREW M4X16						
32	11002508	996530001296	UPPER COFFEEGRINDER GEAR SUPPORT P124						
33	129914002	996530013165	SCREW TCB TORX 10 3,5X16 PLAST.ZN-B						
34		421946000121	2P.CONN.COF.GRINDER MOTOR V2 NPR ULASSY						
35	11003446	996530001673	BLACK BEAN COFFEE GRINDER INSERT P0049						
36	17001921	996530072477	BLK WIRING FIX INSERT FOR GRINDER BOARD						
	11026298	996530068697	GEN.MOTOR COFFEE GRINDER NPR ASSY.	230V					



INTELIA EVO CAPPUCCINO - CAPPUCCINO METAL

TABLE 5/7

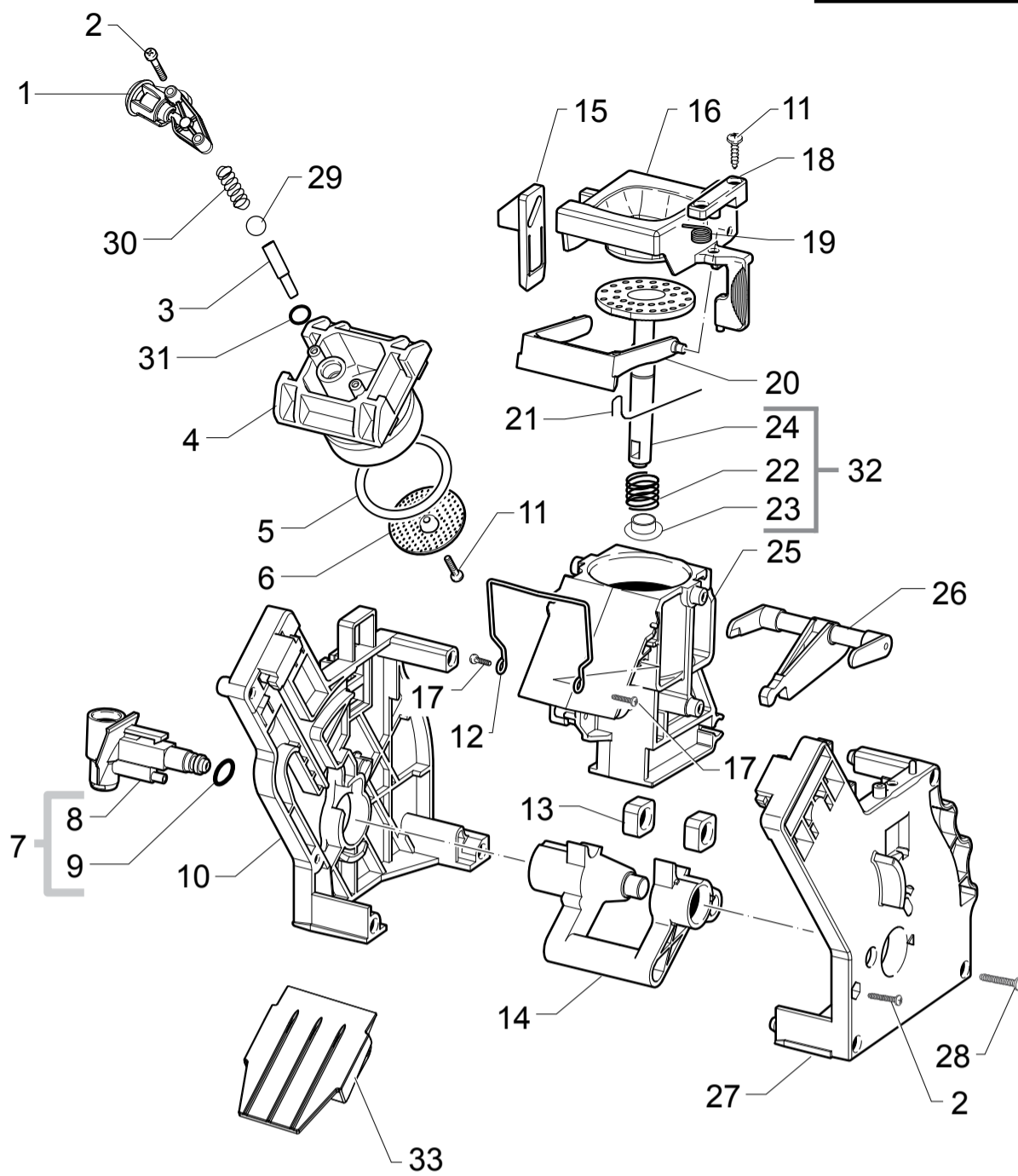


HD8753/03-92-94-95
HD8753/96-98 HD8884/09



Cod. 882875303630-882875392010-5394300-10004207
Cod. 10004223-882875398500-8409010

POS	CODE	12NC	DESCRIPTION	NOTE	POS	CODE	12NC	DESCRIPTION	NOTE
02	NE05.038	996530058869	MICROSWITCH SAIA XCG5-81-P5						
03	20000900	996530009913	SPARES KIT GEARS FOR RATIOMOTOR V2						
04	9161.132	996530050569	MYLAR WASHER FOR RATIOMOTOR						
05	11005214	996530002796	MOTOR FOR RATIOMOTOR P124 ASSY.						
06	9121.046	996530049898	BRONZE SINTERED BUSH FOR MOTOR RATIOMOT.						
07	148380200	996530017424	BAKELIZZATE WASHER D=5,5						
08	9121.044	996530049896	ANTIVIBRATION FOR MOTOR						
10	12000450	996530007819	SCREW TCBR TORX 10 3,5X12 PLAST.ZN-N						
11		421944060181	PIN FOR FLOW SEL.FAUCET V2 PPS P0057 AS						
12		421944059371	PIN FOR FLOW SELECT.FAUCET PPS V2 P0057						
13	NM01.035	996530059399	OR ORM 0090-20 SILICONE						
14	NM01.057	996530059419	OR ORM 0050-20 IN SILICONE						
15	12001890	996530073209	MICROSWITCH XG/V3D						
16	17000685	996530072515	BLACK SEAL FOR RATIOMOTOR PLATE NPR						
17	17001336	996530068732	GREY BREW UNIT DRAWER COFFEE NPR						
18		421944053951	BLK/YLW BREW UNIT 8GR.5BAR V4 HGO						
19		421944016761	SCREW TCBR TORX 10 3,5X12 PLAST.ZN-NI						



HD8753/03-92-94-95
HD8753/96-98 HD8884/09



Cod. 882875303630-882875392010-5394300-10004207
Cod. 10004223-882875398500-8409010

POS	CODE	12NC	DESCRIPTION	NOTE	POS	CODE	12NC	DESCRIPTION	NOTE
01	11009362	996530005415	BLK COF.OUTLET SLEEVE BREW UNIT S0053 AS						
02	12000550	996530007838	SCREW TCB TORX 10 3X25 PLAST.SS						
03	11009276	996530005372	BLK COUNTER PISTON TUBE BREW UNIT S0053						
04	11001840	996530001046	BLACK COUNTER PISTON BREW UNIT 8GR.P124						
05	NM01.044	996530059406	OR ORM 0320-40 SILICONE PTFE/FDA						
06	9161.268	996530050709	PERCOLATOR DE=35,8 ELFO						
07	20000440	996530009825	BLACK WATER INLET SLEEVE BREW UNIT ASSY.						
08	9161.064.050	996530050488	BLACK WATER INLET SLEEVE BREW UNIT ROYAL						
09	NM02.007	996530059441	OR 2025 IN TERMOIL						
10	9161.375.050	996530050832	BLACK BREW UNIT REAR PLATE SMART						
11	12000895	996530007951	SCREW TSP TORX 10 3X10 PLAST.SS						
12	11001556	996530000898	SS BREW UNIT SPRING H=49 SMART						
13	9161.094.050	996530050539	BLACK BREW UNIT DRILLED BLOCK						
14		421944051231	YLW BREW UNIT ELBOW SHAFT M5000						
15		421944046931	YLW BREW UNIT COUPLING PLATE V2 SMART						
16	149261350	996530018241	BLACK HOPPER DOSER BREW UNIT SMART1						
17	129912521	996530013148	SCREW TCB TORX 10 3,5X14 PLAST.SS						
18		421944050711	YLW BREW UNIT HOPPER BLOCKING PLATE SMART						
19	9161.378	996530050838	SS HOPPER SPRING FOR BREW UNIT SMART						
20	11004161	996530002096	BLACK SCRAPER FOR BREW UNIT M5000						
21	9161.046	996530050455	SS SCRAPER SPRING FOR BREW UNIT						
22	9161.198	996530050627	SS.8GR.BREW UNIT PISTON SPRING						
23	9161.191	996530050618	WHITE 8GR.-12GR.BREW UNIT PISTON BUSH						
24		421944025621	BLK BREW UNIT INTEGR.PISTON 8GR.V3 ASSY.						
25		421944014611	BLK COF.CONTAIN.BREW UNIT V2 M5000 ASSY.						
26	11003078	996530001452	BLACK CONNECTING ROD BREW UNIT 8GR.						
27	11005920	996530003228	BLACK BREW UNIT FRONT PLATE S/SCR.SMART						
28	12000897	996530007953	SCREW TCB TORX 10 3,5X20 PLAST.SS						
29		421944034451	BOROSILICATE SPHERE D.5 MM						
30	11012095	996530006305	SS COFFEE UNIT CONTERPISTON SPRING S0053						
31	140328761	996530013575	OR ORM 0060-15 TERMOIL						
32		421944029791	BLK BREW UNIT 8GR.INT.PISTON GEN.V3 ASSY						
33	17000663	996530073322	BLK BREW UNIT CONVEYOR SLIDE L=76,8						
		421944053951	BLK/YLW BREW UNIT 8GR.5BAR V4 HGO						

