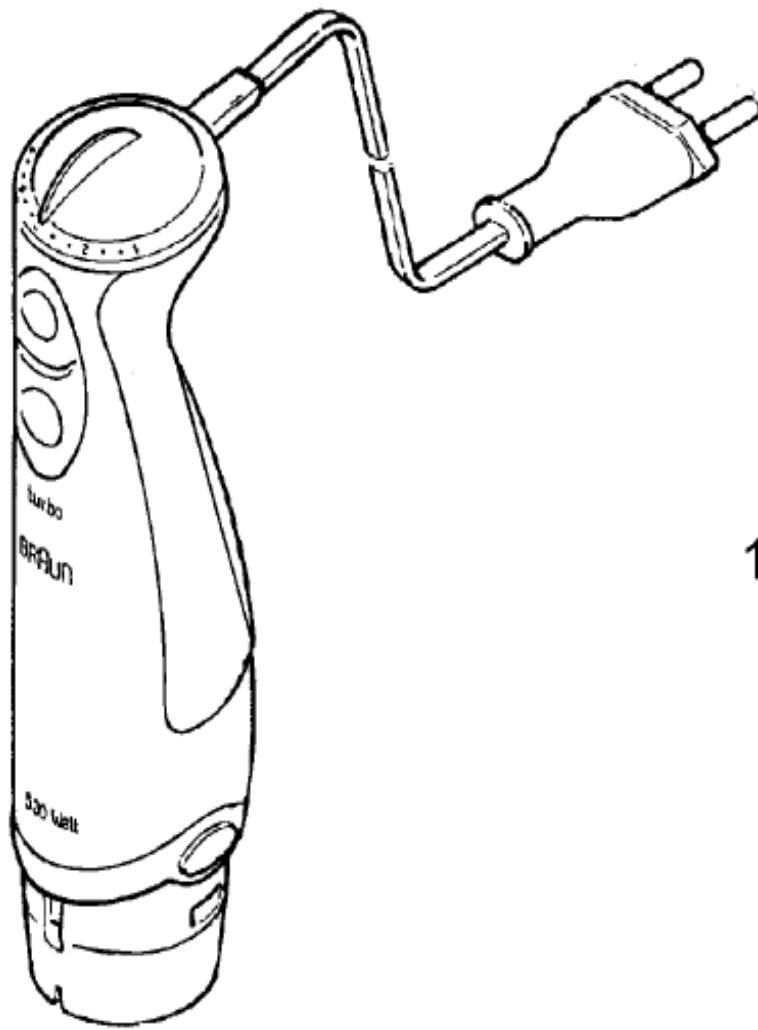
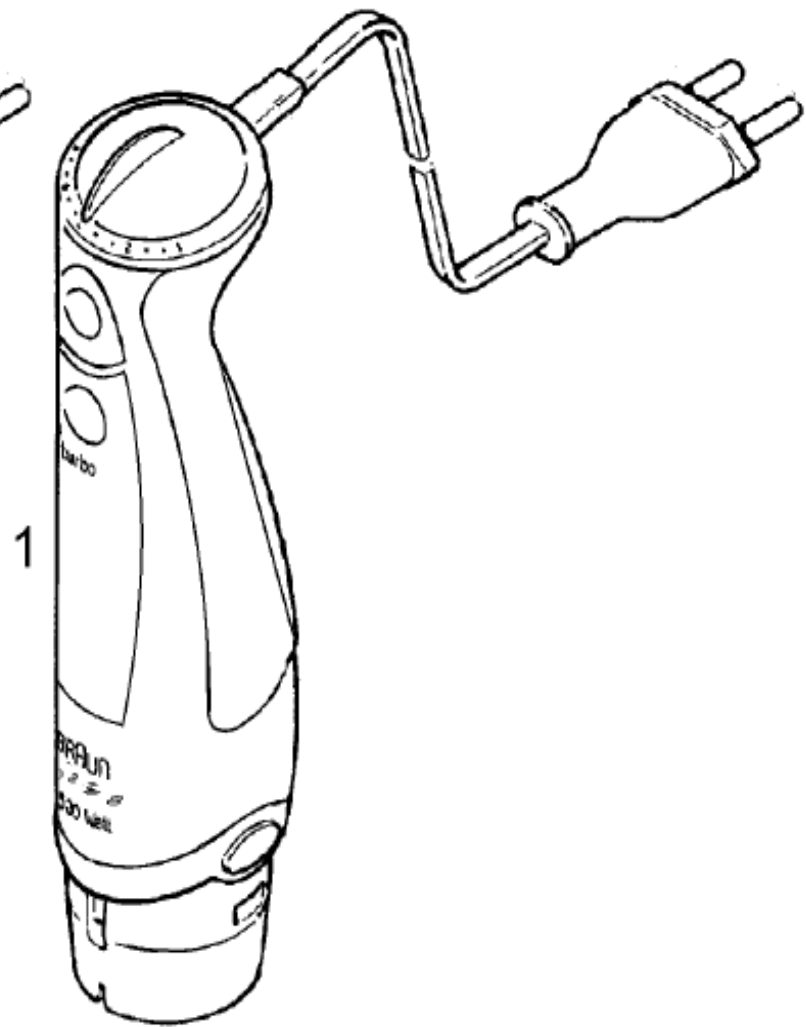


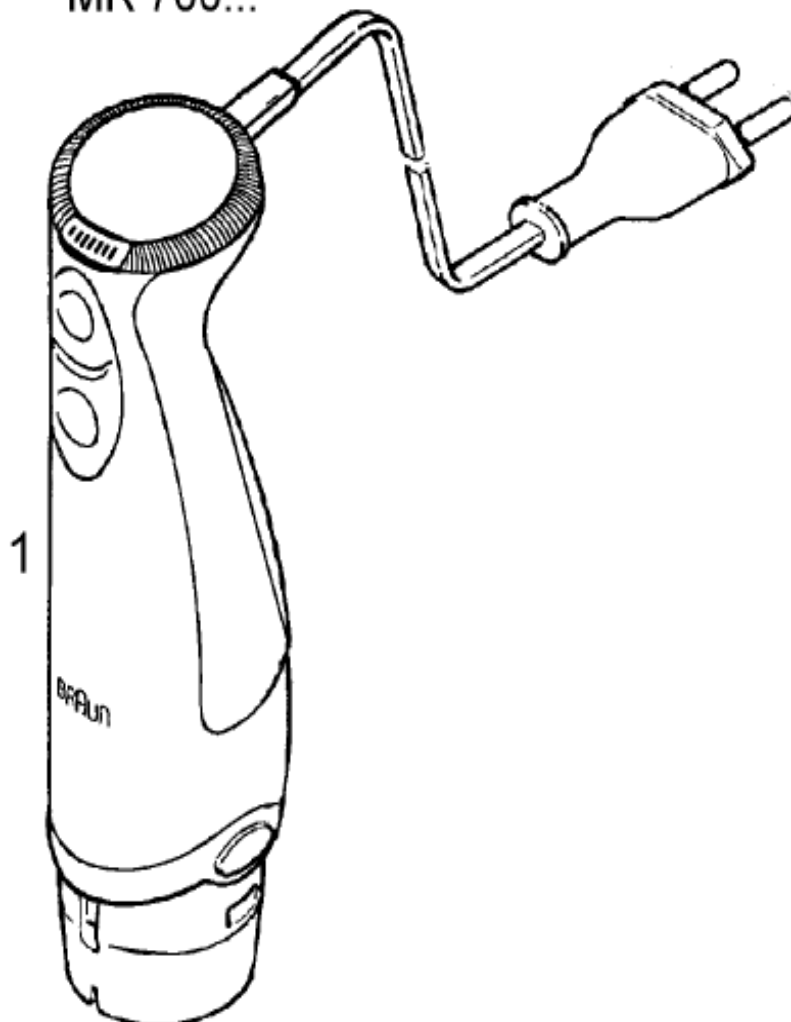
MR 5500...

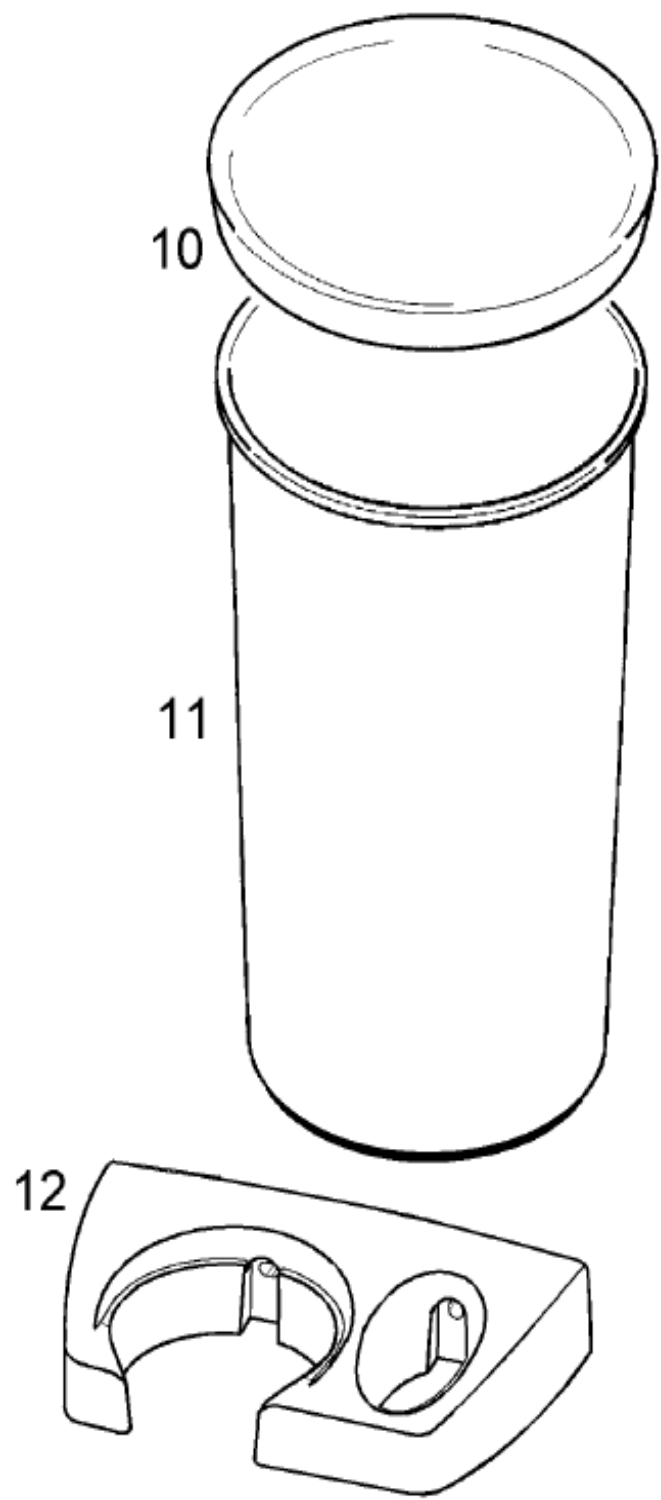
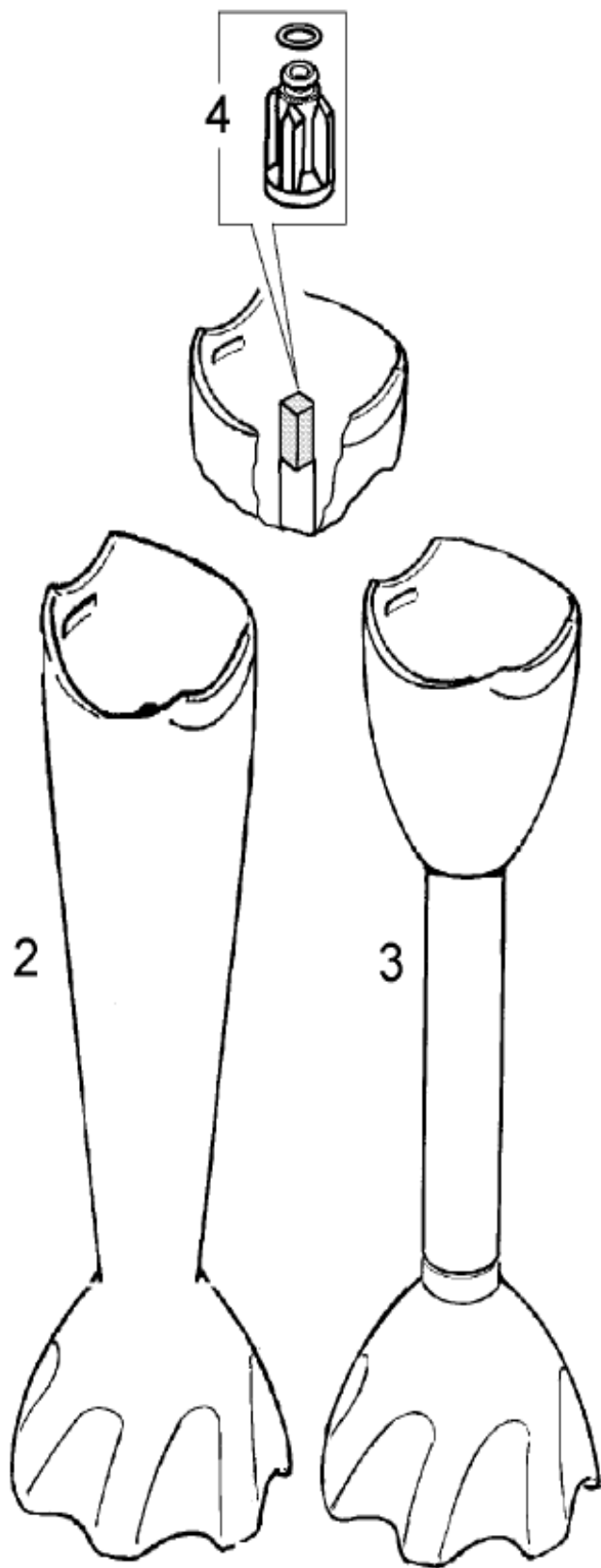


MR 6500.../500...



MR 700...

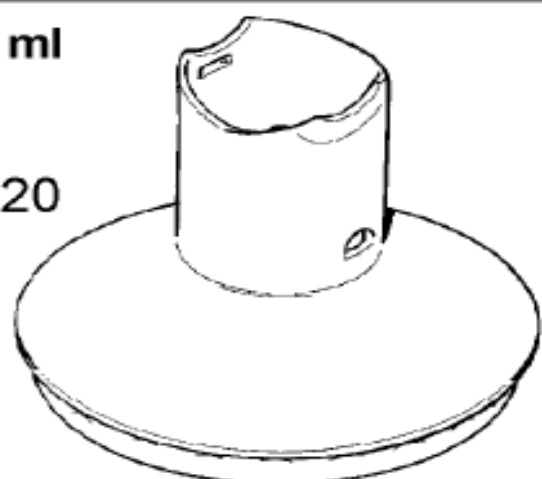




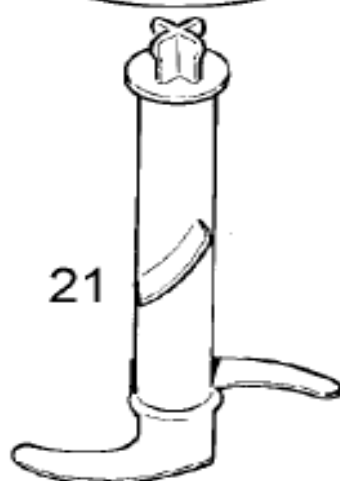
MR 500... / 700... / MR 5500... / 6500...
(MR 40 / BC 5000/6000)

1000 ml

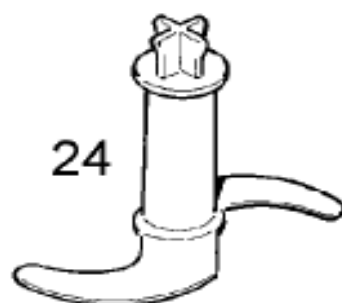
20



21



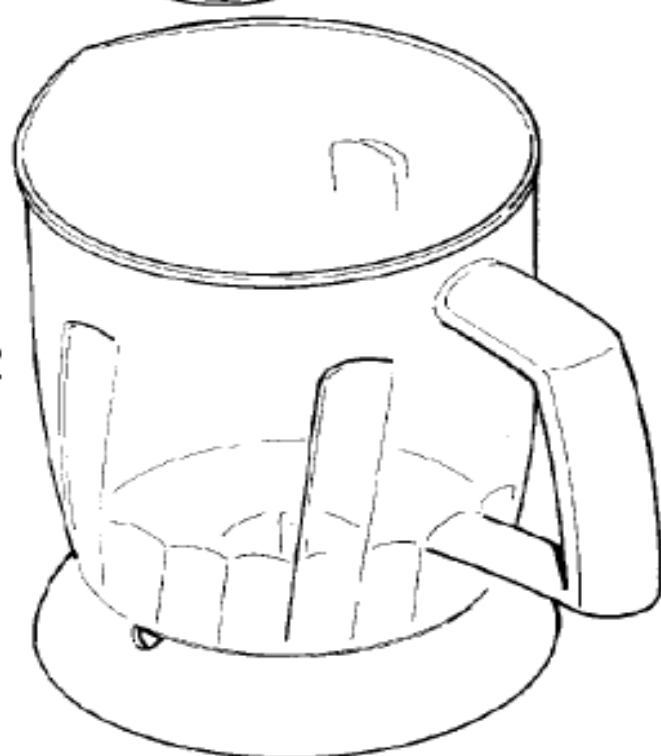
24



25



22



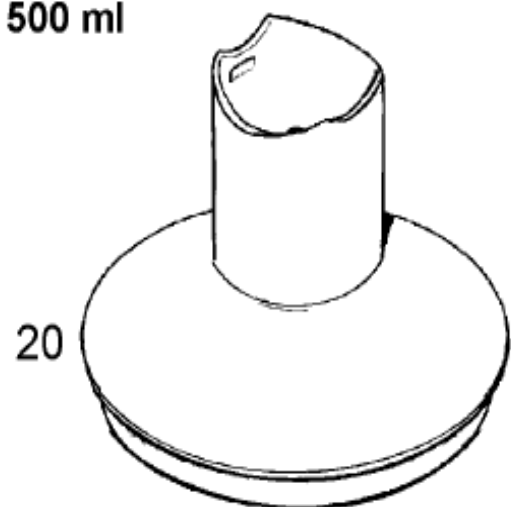
23



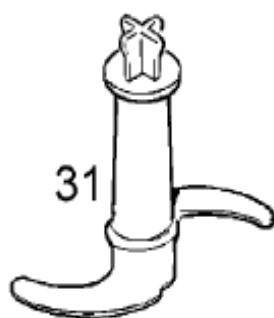
100

CA 5000/6000

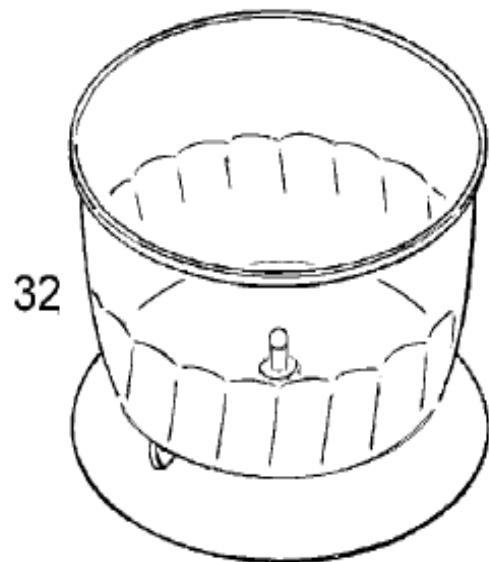
500 ml



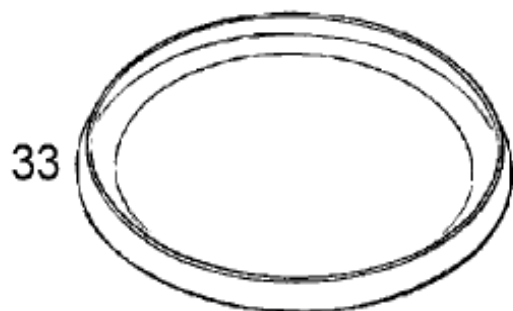
20



31



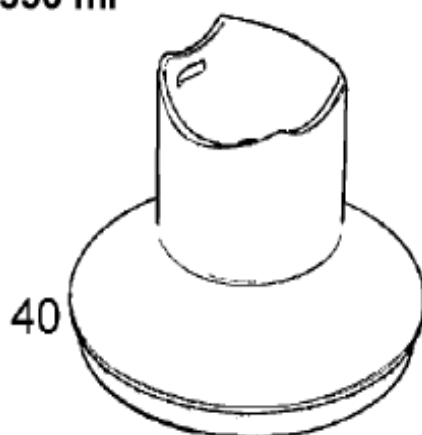
32



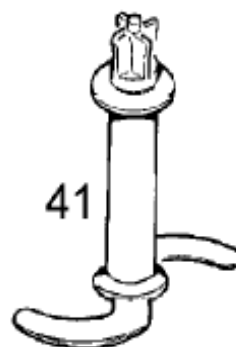
33

MR 20
HC 5000/6000

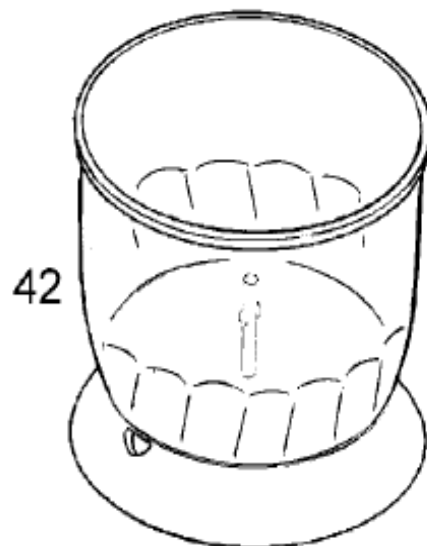
350 ml



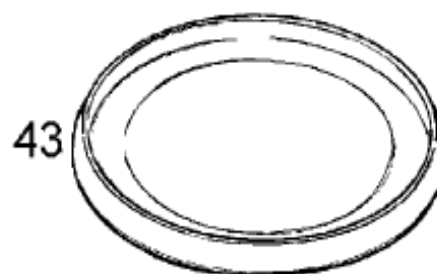
40



41

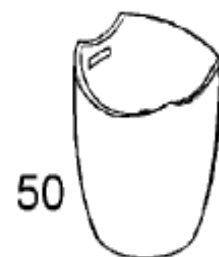


42



43

MR 10
WH 5000/6000



50

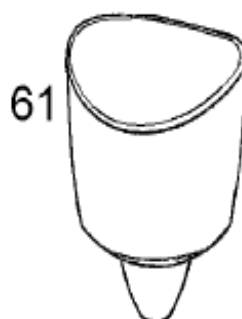
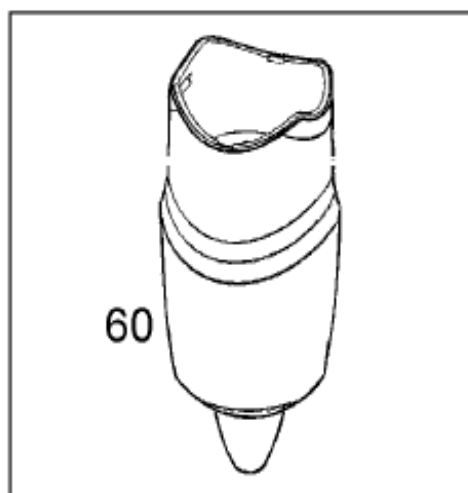


51

103

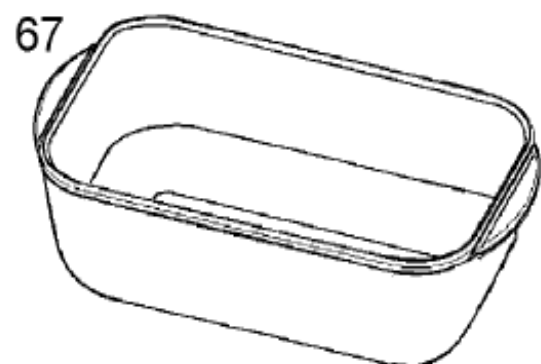
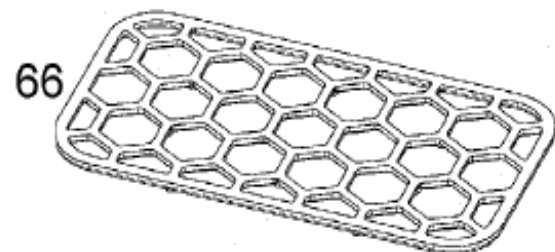
MR 500... / 700... / MR 5500... / 6500...

(VP 5000/6000)



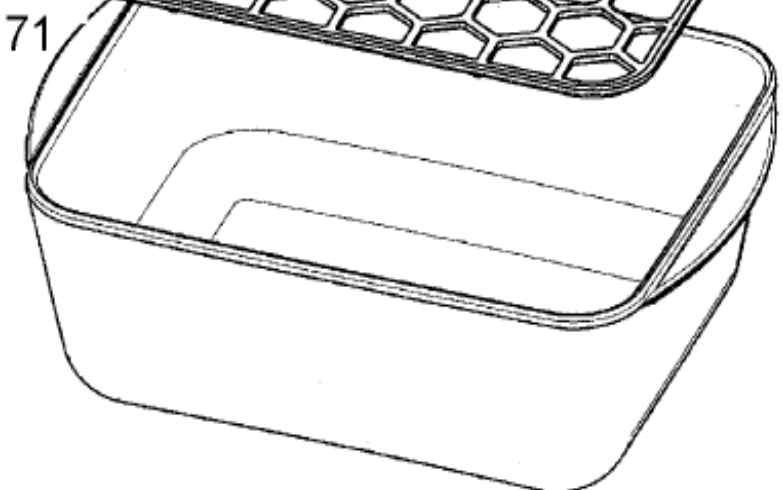
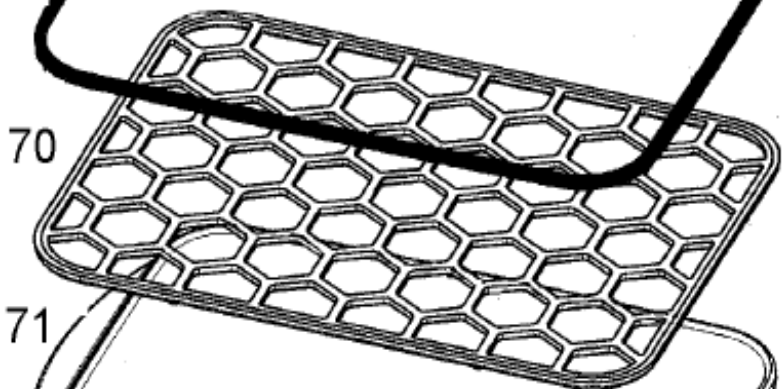
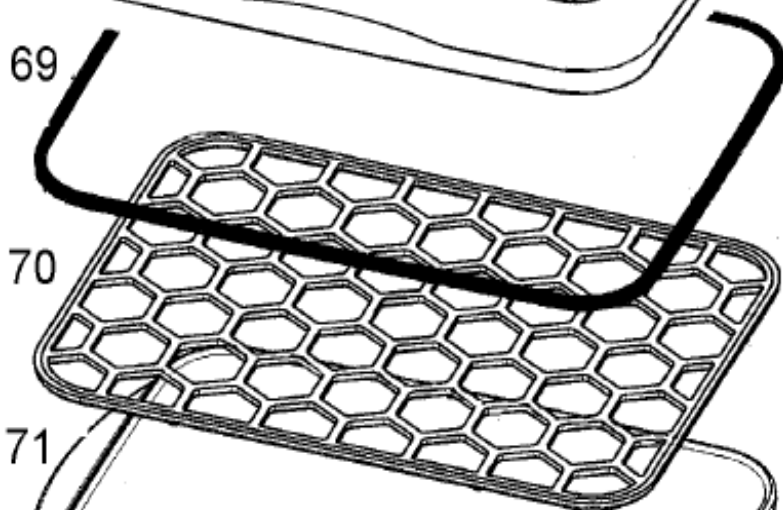
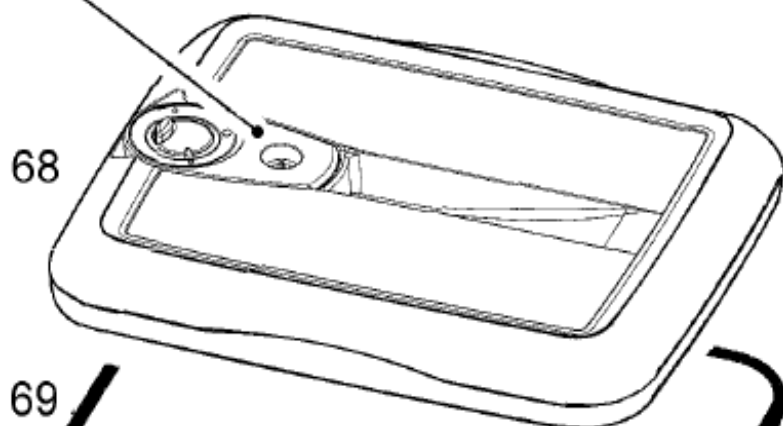
(CT 900)

900 ml



(CT 3100)

3100 ml

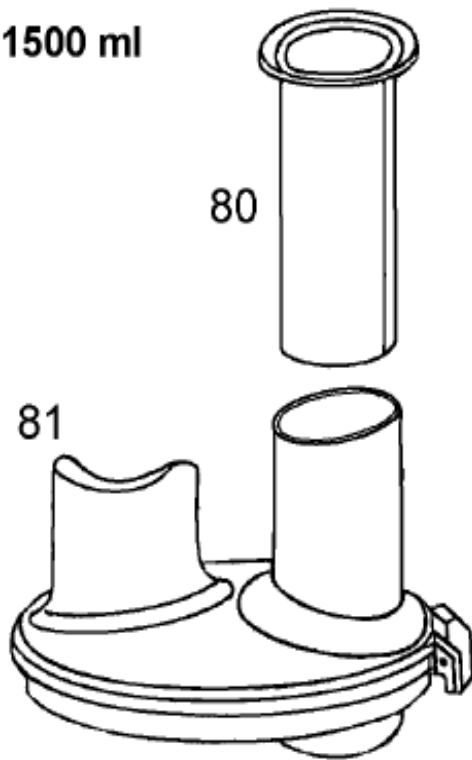


(MR 70 / FP 6000)

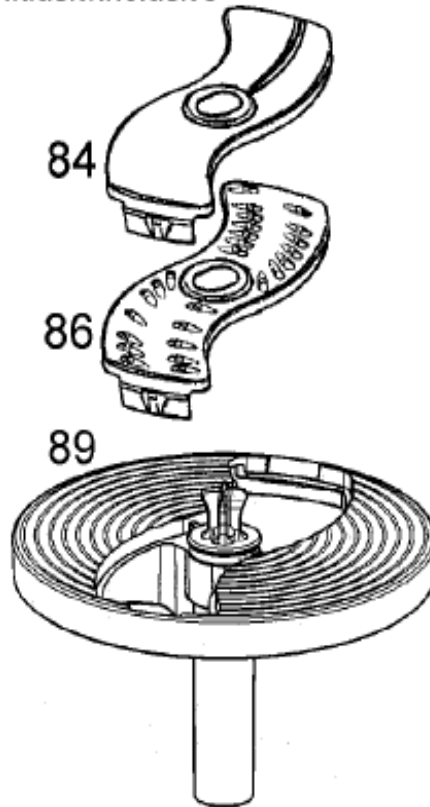
(FP 6000)

(MR 70)

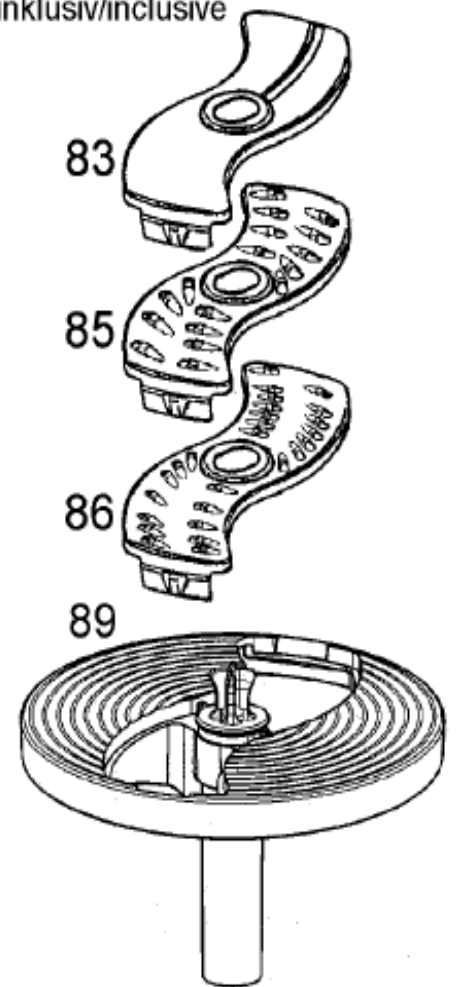
1500 ml



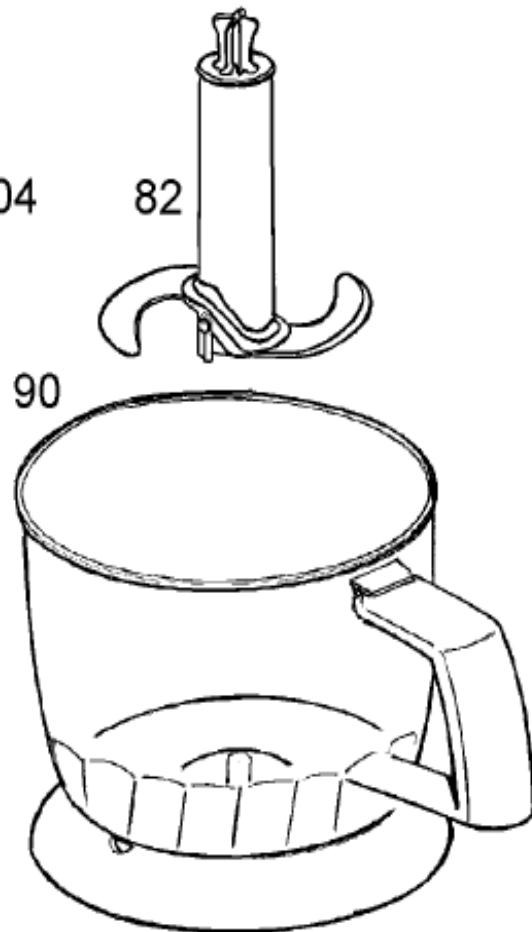
inklusive/inclusive



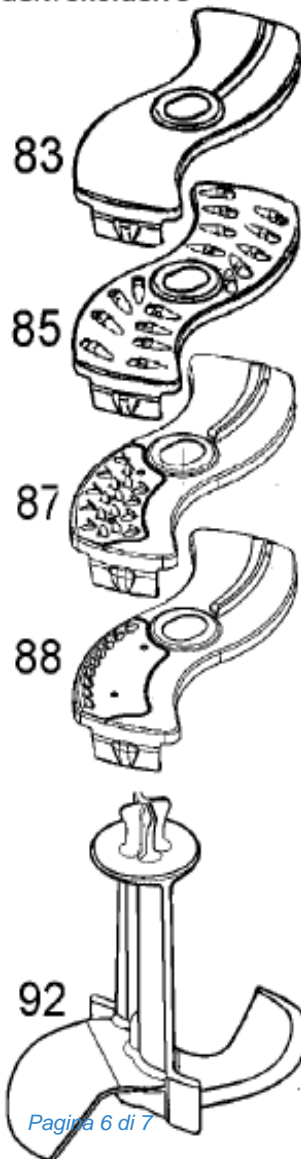
inklusive/inclusive



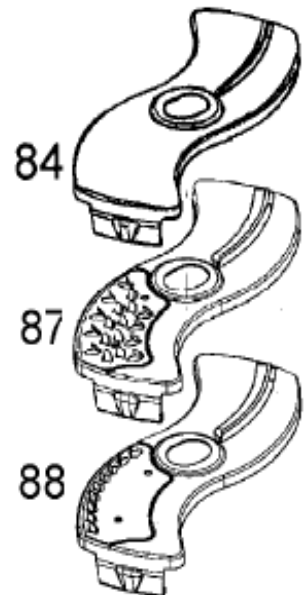
104



exklusiv/exclusive



exklusiv/exclusive



Posizione	Codice	Descrizione
0	7322113974	ICS 4162/4191/4199 MOTOR COUPLING
1	7322114444	MOTORE (220/240V 50/60Hz 750W 13800RPM)
2	BR67050130	PERNO PLASTICA
4	BR67050811	GIUNTO
10	AS00004193	COPERCHIO
11	AS00004187	BICCHIERE, PLASTICA
12	BR67051475	Supporto parete
20	BR67050135	COPERCHIO
31	AS00004185	LAMA
32	AS00004191	CONTENITORE (500 ml)
33	BR67050143	BASE CONTENITORE (CA 5000)
50	BR67050148	RIDUTTORE
51	AS00004189	FRUSTA
101	AX22110062	Multiquick EasyClick chopper accessory MQ 30 White
103	AX22110001	Multiquick EasyClick metal whisk accessory MQ 10 White